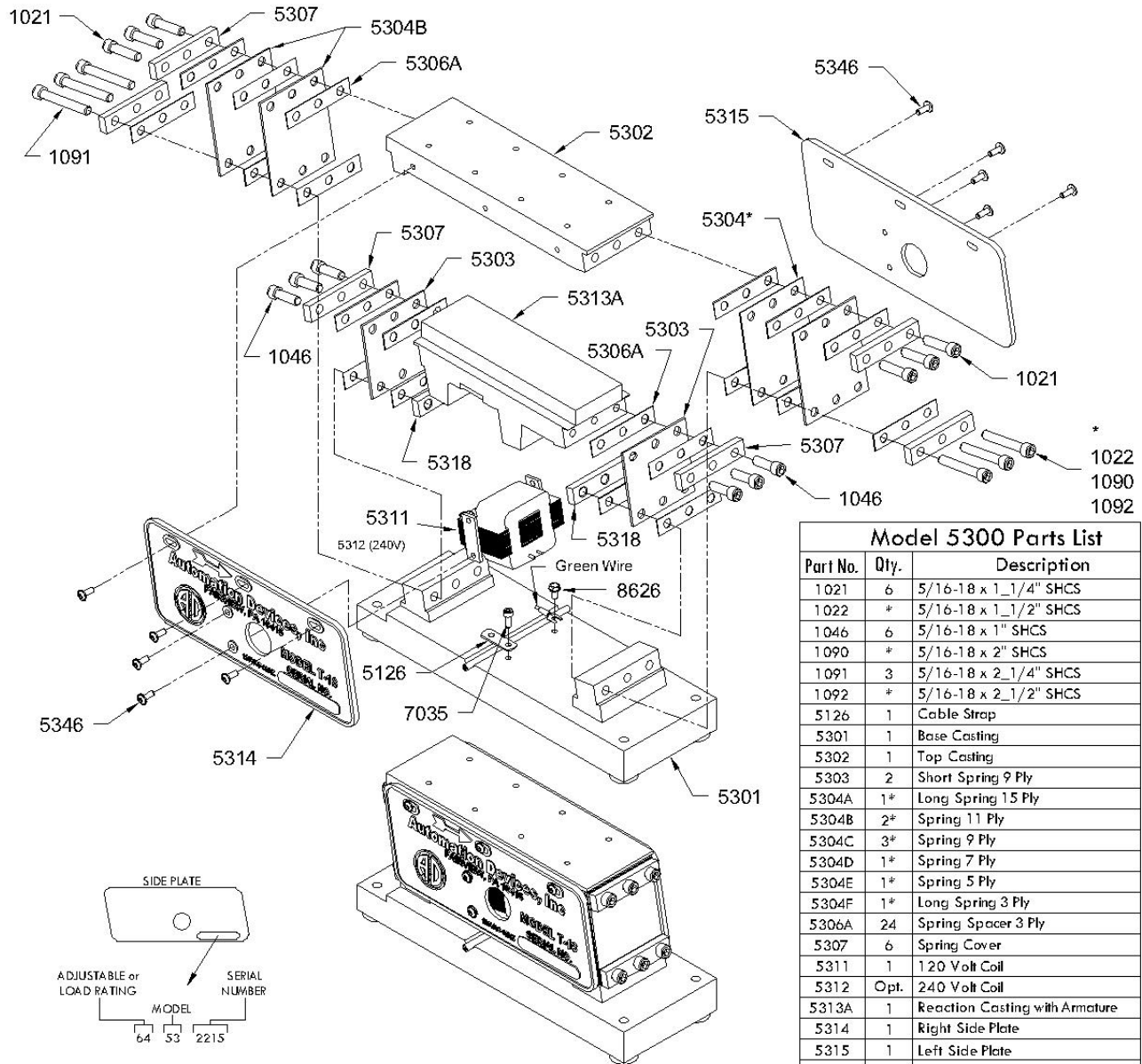


## MODEL 5300 IN-LINE FEEDER ASSEMBLY DRAWING



Model 5300 Parts List		
Part No.	Qty.	Description
1021	6	5/16-18 x 1_1/4" SHCS
1022	*	5/16-18 x 1_1/2" SHCS
1046	6	5/16-18 x 1" SHCS
1090	*	5/16-18 x 2" SHCS
1091	3	5/16-18 x 2_1/4" SHCS
1092	*	5/16-18 x 2_1/2" SHCS
5126	1	Cable Strap
5301	1	Base Casting
5302	1	Top Casting
5303	2	Short Spring 9 Ply
5304A	1*	Long Spring 15 Ply
5304B	2*	Spring 11 Ply
5304C	3*	Spring 9 Ply
5304D	1*	Spring 7 Ply
5304E	1*	Spring 5 Ply
5304F	1*	Long Spring 3 Ply
5306A	24	Spring Spacer 3 Ply
5307	6	Spring Cover
5311	1	120 Volt Coil
5312	Opt.	240 Volt Coil
5313A	1	Reaction Casting with Armature
5314	1	Right Side Plate
5315	1	Left Side Plate
5318	2	Threaded Spring Cover
5346	10	#10-32 x 1/2" BSWS w/washer
7035	1	#10-32 x 1/2" SHCS
8626	1	#10-32 x 3/8" Ground Screw

\* Quantity required depends on tuning for various track weights and for operating frequency.