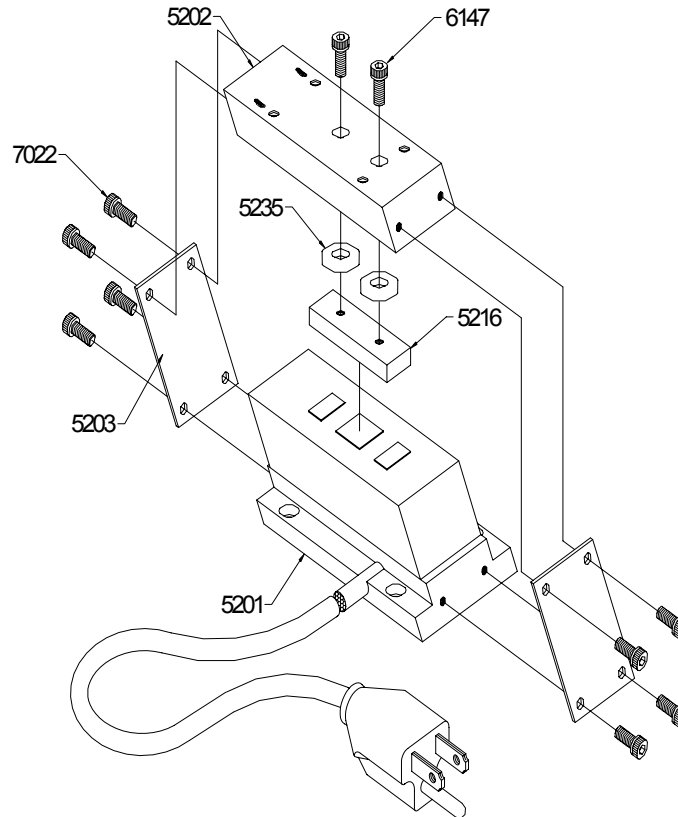


MODEL 5200 INLINE FEEDER ASSEMBLY DRAWING



Model 5200 Parts List		
Part No.	No. Required	Description
4077*	1	Capacitor
5201	1	Base Plate Assembly
5202	1	Top Plate
5203	2	Spring
5213*	1	Winding for T4 ~ (120 Volt)
5216	1	Armature
5218*	1	4-40 x 5/8" SHCS
5278*	1	60" Cord with 3 Prong Plug
6902*	1	Ring Terminal – NO. 6 18
9214*	1	6-32 x 1/4" Phil. Pan
7022	8	6-32 x 3/8" SHCS
5235	2	"O" Ring
6147	2	6-32 x 1/2" SHCS
9015*	27	"E" Lamination

* Included in Base Plate Assembly

AF03.02