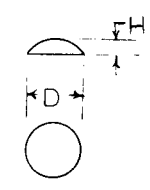

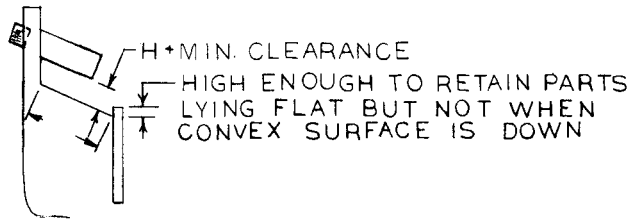
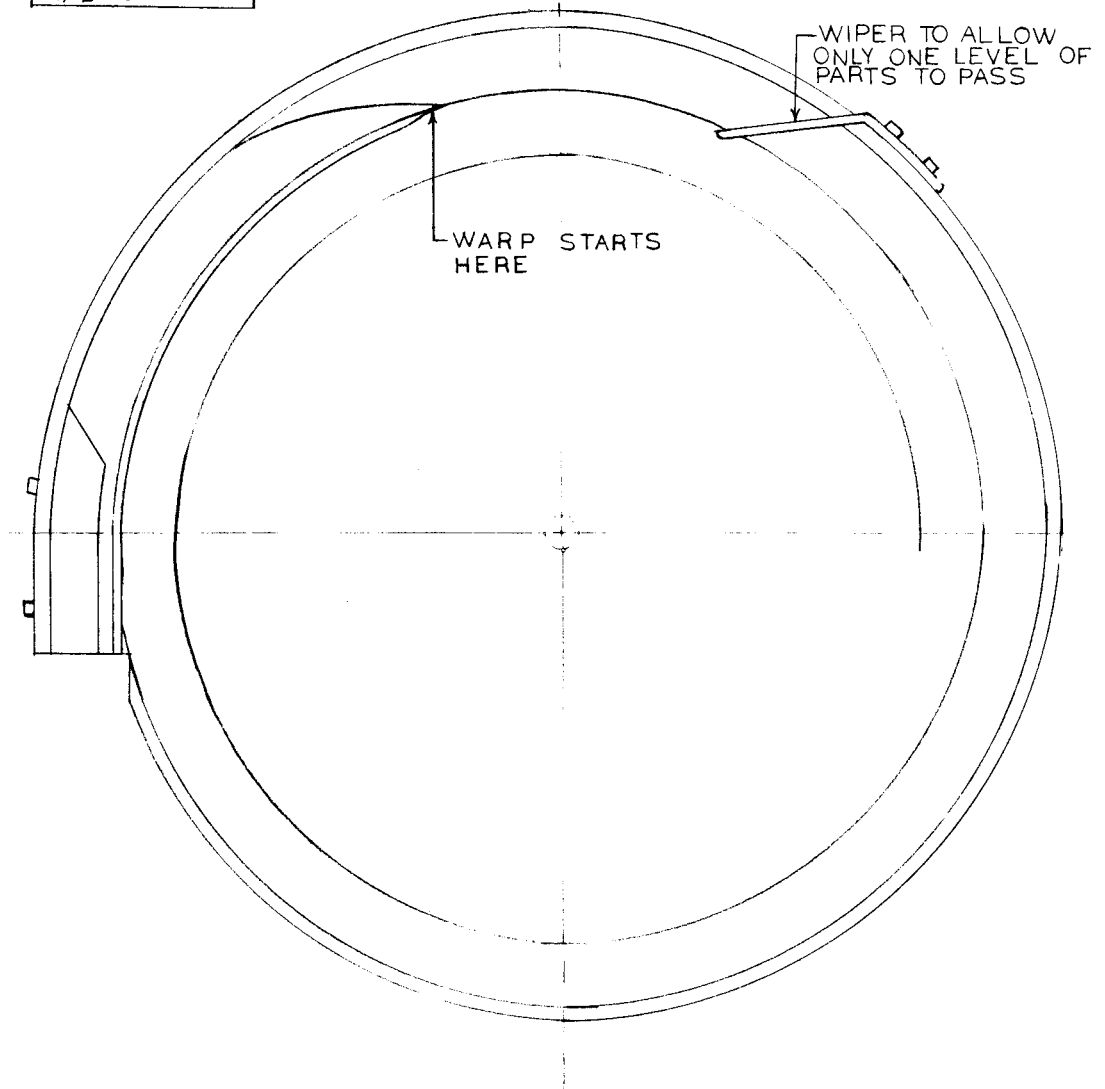
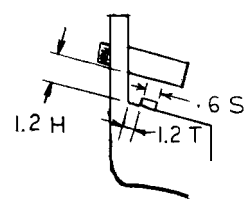
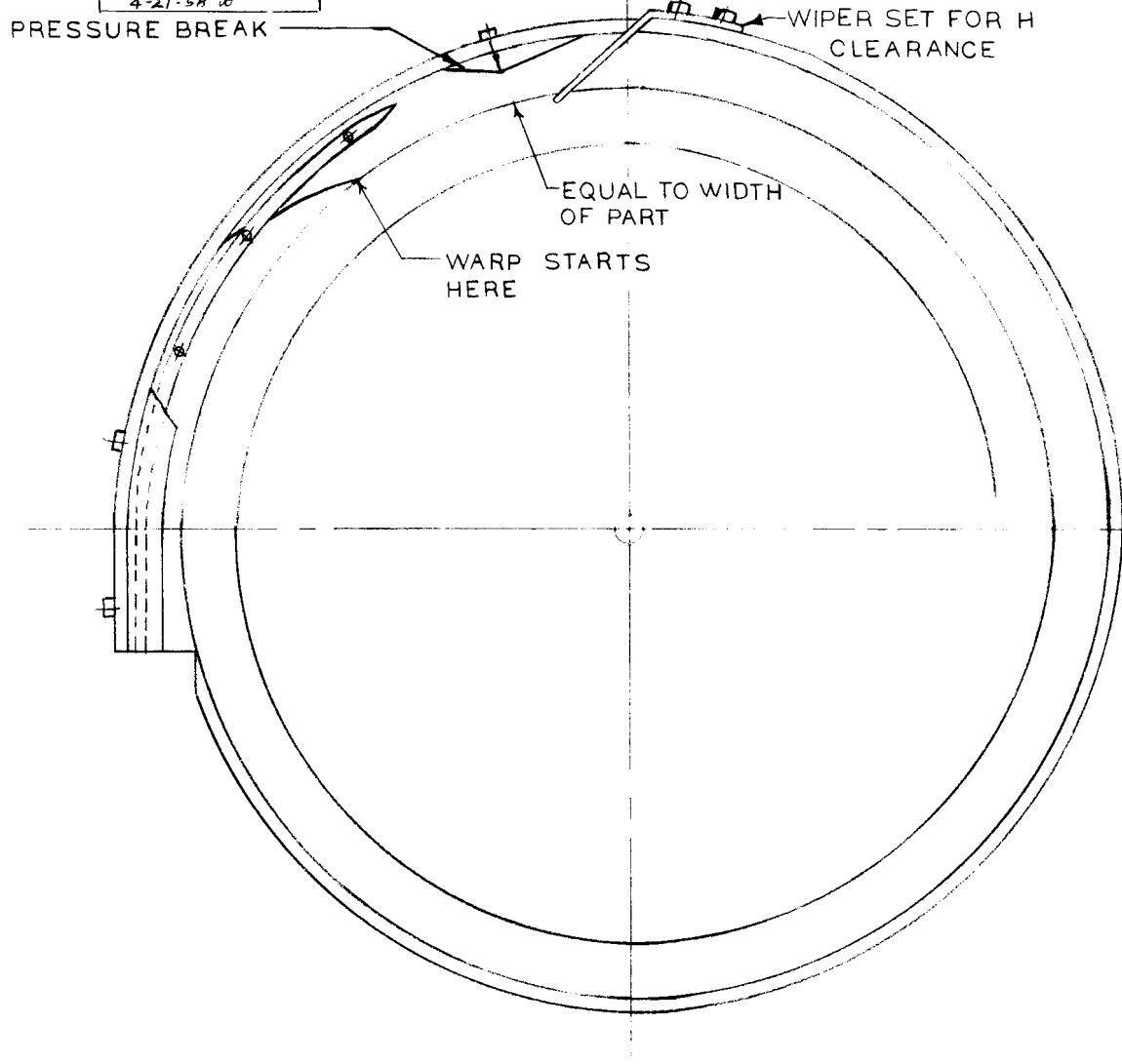


VIBRATORY FEEDER CO. AUTOMATION PARK, BOX AD FAIRVIEW, PA. 16415 PHONE 814/474-5561		CASE NO 16	
DWN. R. L.L. DATE 6/4/56 CHKD W DATE 6-7-56 REVISED 4-21-58 W	SCALE  SK. NO. 2019	DISH SHAPED PARTS	PART FED

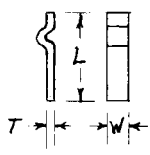



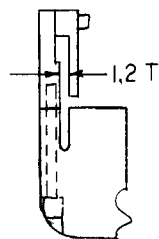
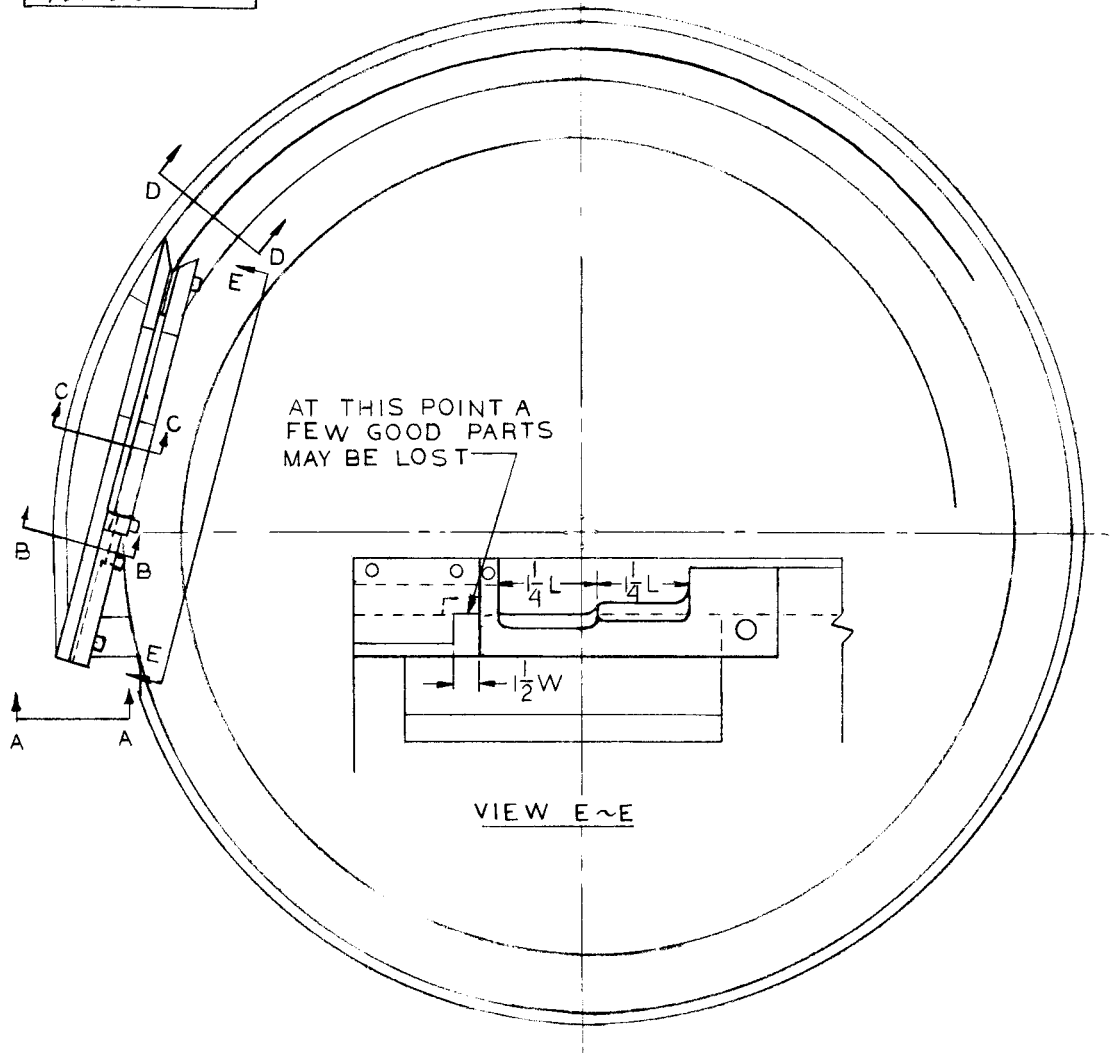
© 1966 BY VIBRATORY FEEDER CO.
 A DIVISION OF
 AUTOMATION DEVICES, INC.

VIBRATORY FEEDER CO. AUTOMATION PARK, BOX AD FAIRVIEW, PA, 16415 PHONE 814/474-5561		CASE NO 17	
DWN. R.L.L. DATE 6/4/56 CHKD W DATE 6-7-56 REVISED 4-21-58 W	SCALE SK. NO. 2020	SLOTTED PART	

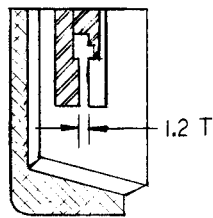


© 1966 BY VIBRATORY FEEDER CO.
 A DIVISION OF
 AUTOMATION DEVICES, INC.

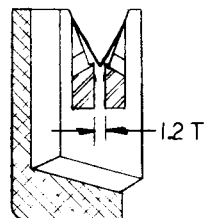
VIBRATORY FEEDER CO. AUTOMATION PARK, BOX AD FAIRVIEW, PA. 16415 PHONE 814/474-5561		CASE NO 18	
DWN R.L.L. DATE 6/4/56 CHK'D W DATE 6-7-56 FEV:EBB 4-21-58	SCALE  SK. NO. 2021	STRIPS WITH A PROJECTION AT ONE END	PART FED



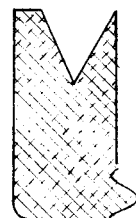
VIEW A~A



SECTION B~B

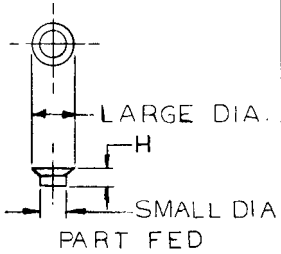
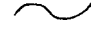


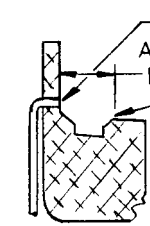
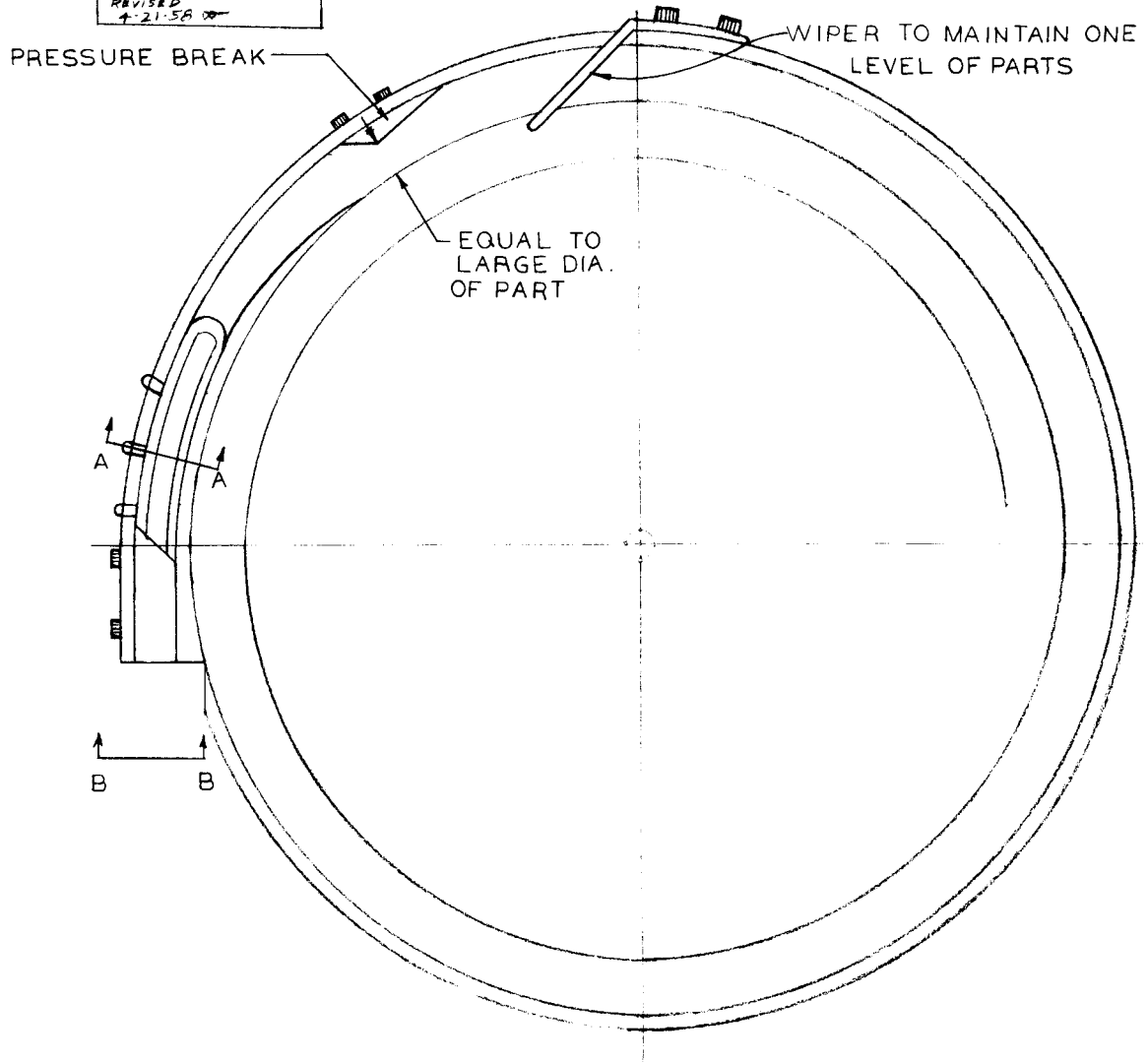
SECTION C~C



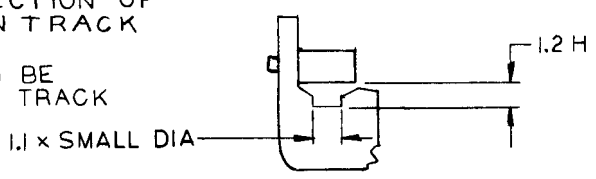
SECTION D~D

© 1966 BY VIBRATORY FEEDER CO.
 A DIVISION OF
 AUTOMATION DEVICES, INC.

VIBRATORY FEEDER CO. AUTOMATION PARK, BOX AD FAIRVIEW, PA. 16415 PHONE 814/474-5561		CASE NO 19	
DWN R.L.L. DATE 6/4/56 CHKD ✓ DATE 6-7-56 <small>REVISED 4-21-58</small>	SCALE  SK. NO. 2022	FORMED METAL FLANGED CUP	PART FED

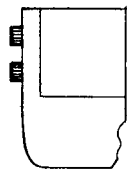
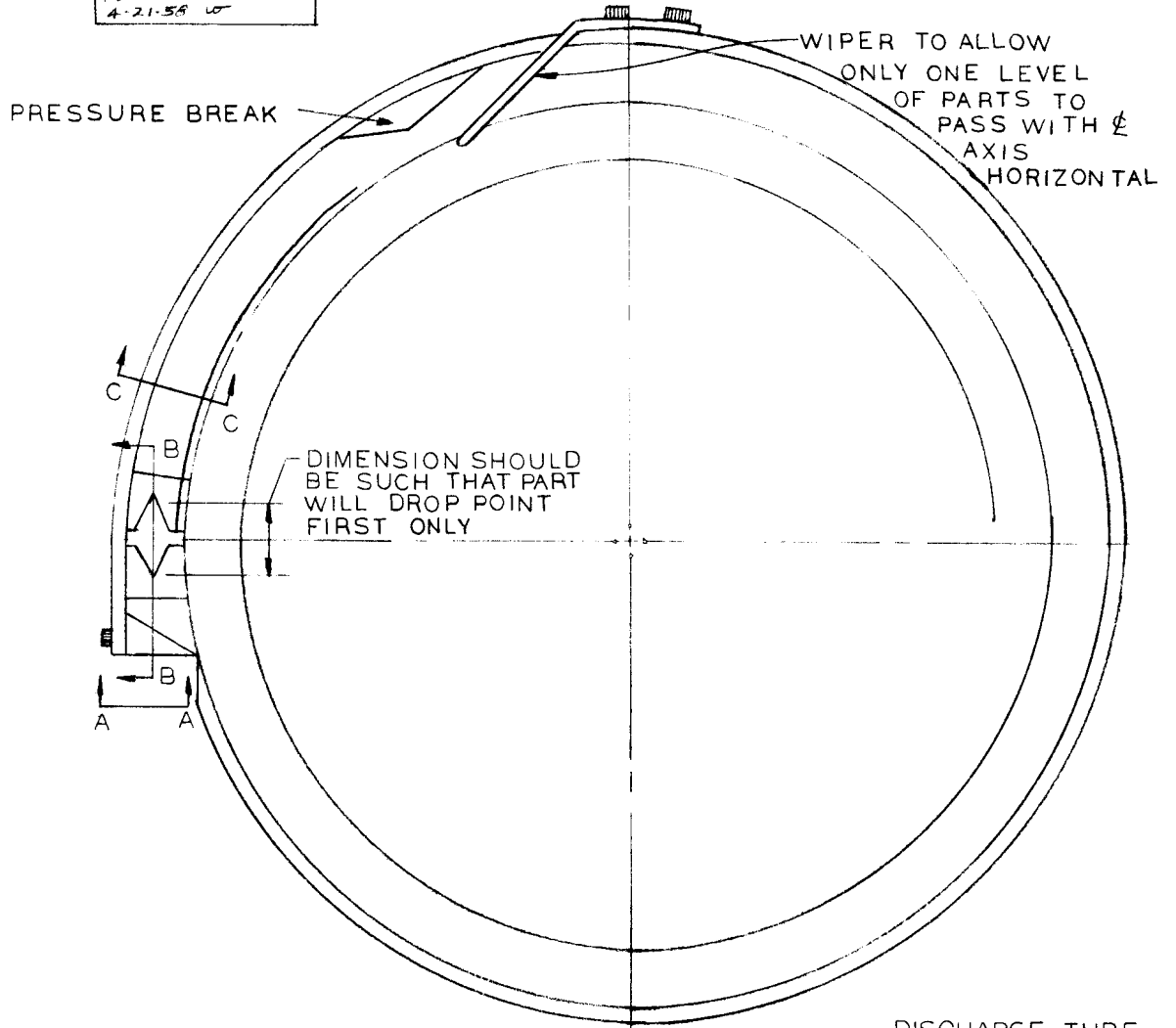


SECTION A~A

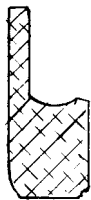


VIEW B~B

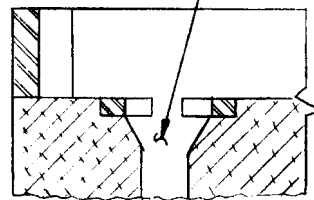
VIBRATORY FEEDER CO. AUTOMATION PARK, BOX AD FAIRVIEW, PA. 16415 PHONE 814/474-5561		CASE NO 20	
DWN P.L.L. DATE 6/5/56 CHK'D ✓ DATE 6-7-56 REVISED 4-21-58 ✓	SCALE	POINTED PARTS FEEDING POINT LEADING	
	SK NO 2023		



VIEW A~A

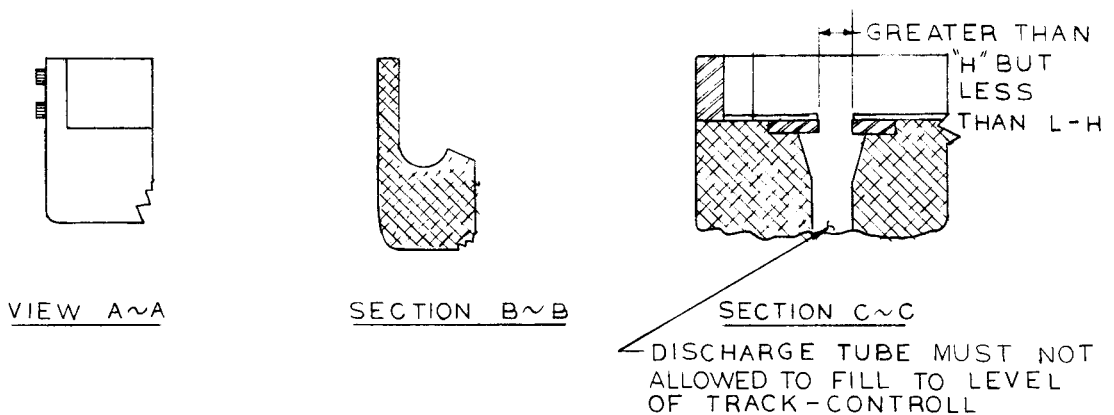
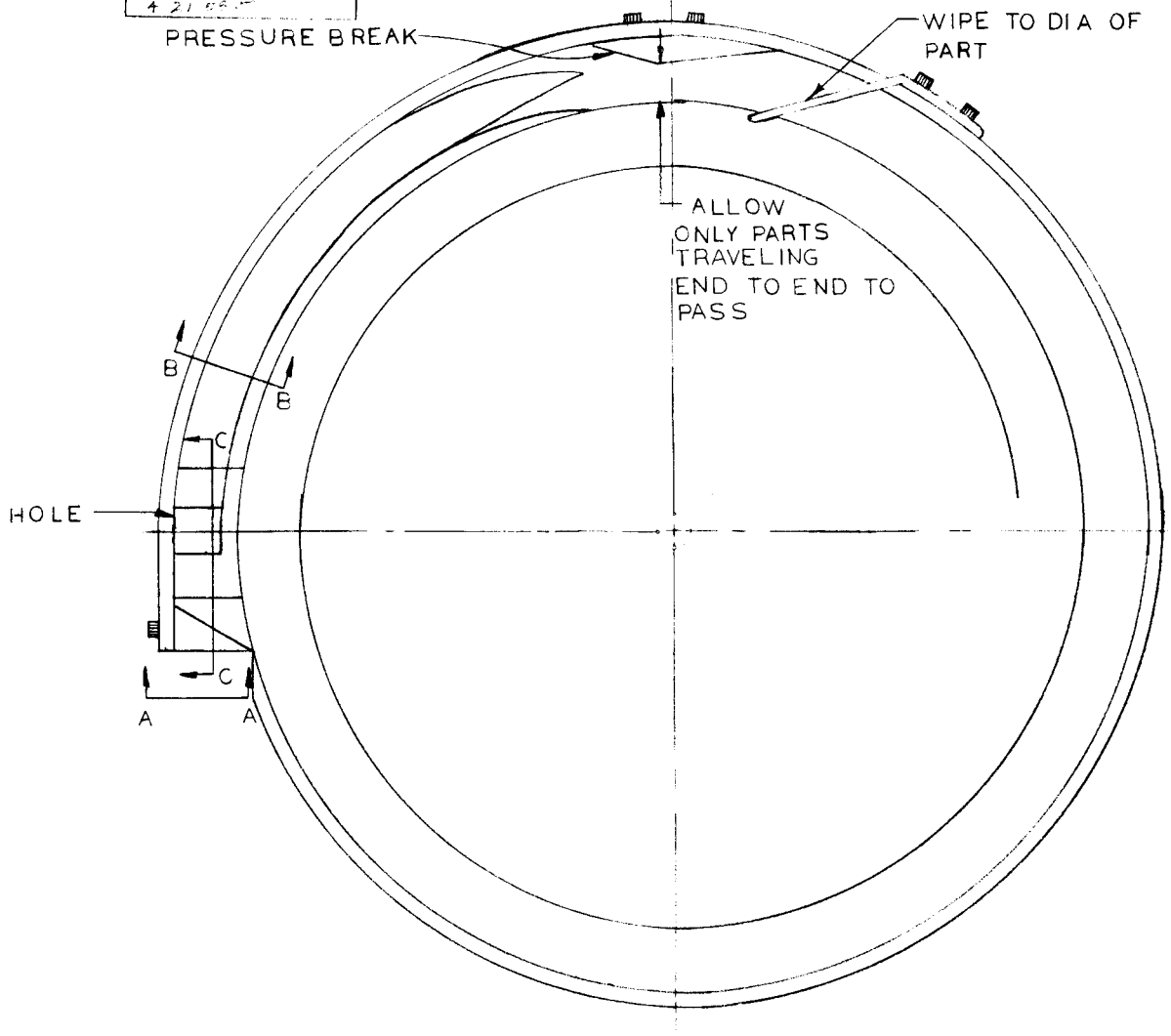


SECTION C~C



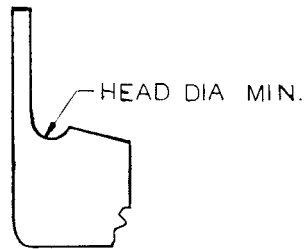
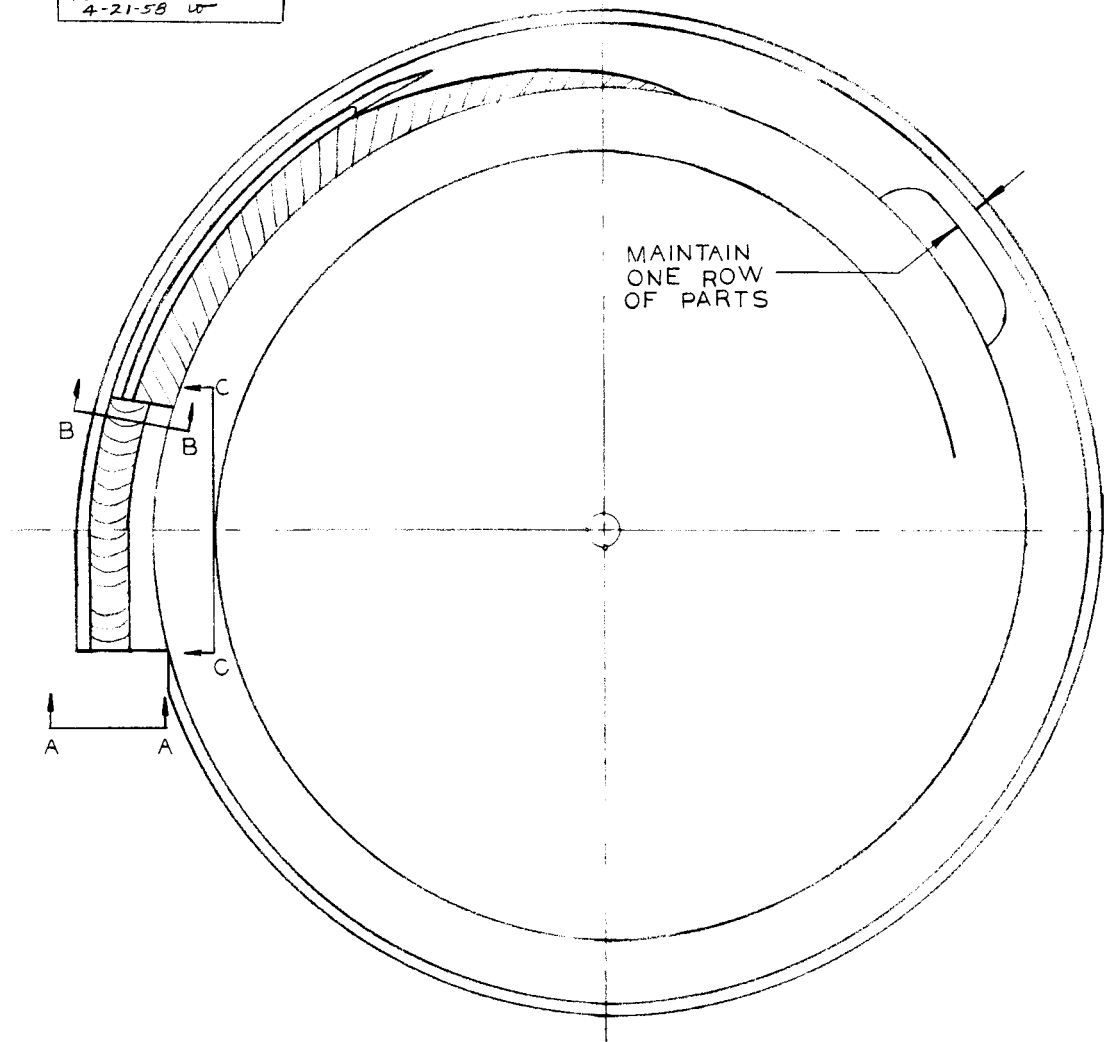
SECTION B~B

VIBRATORY FEEDER CO. AUTOMATION PARK, BOX AD FAIRVIEW, FA. 16415 PHONE 814/474-5561		CASE NO 21	
DWN RLL DATE 3/5/56 CHKD ✓ DATE 4/21/56 REVISED 4/21/56	SCALE SK. NO. 2024	POINTED PINS FEEDING POINT TRAILING	PART FED

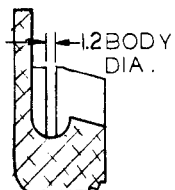


© 1966 BY VIBRATORY FEEDER CO.
 A DIVISION OF
 AUTOMATION DEVICES, INC.

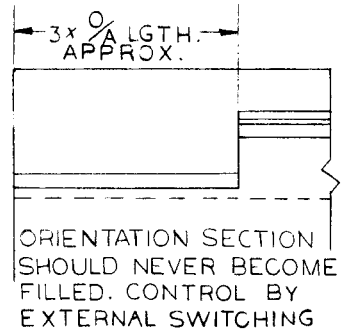
VIBRATORY FEEDER CO. AUTOMATION PARK, BOX AD FAIRVIEW, PA. 16415 PHONE 814/474-5561		CASE NO 22	
DWN R.L.L. DATE 6/5/56 CHKD W DATE 6-7-56 REVISED 4-21-58 W	SCALE ~~~~~ SK. NO. 2025	HEADED PINS FEEDING HEAD FIRST	



VIEW A~A

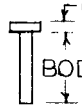

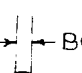



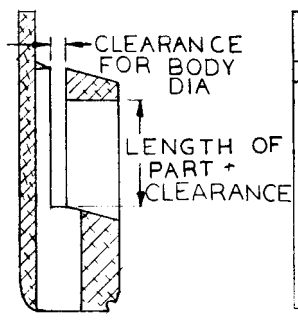
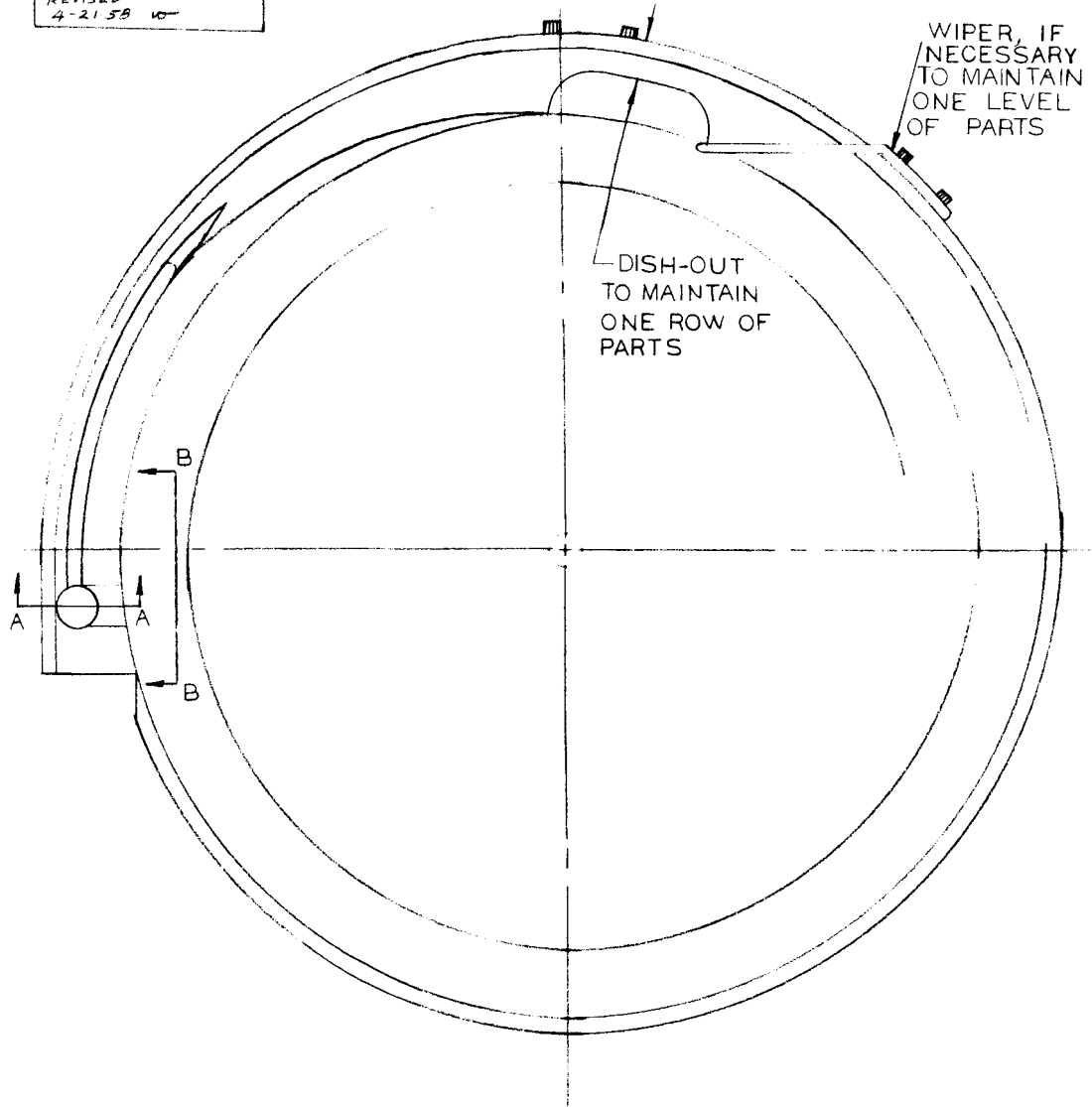
SECTION B~B



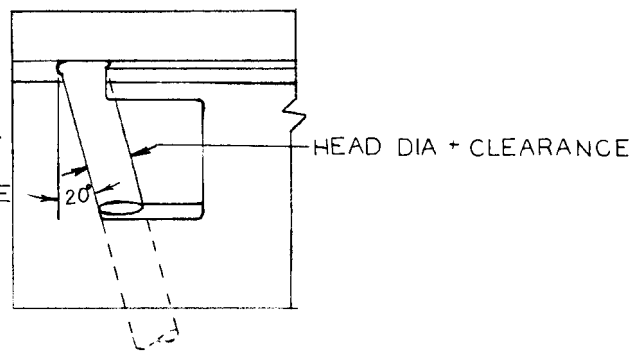
SECTION C~C

© 1966 BY VIBRATORY FEEDER CO.
 A DIVISION OF
 AUTOMATION DEVICES, INC.

VIBRATORY FEEDER CO. AUTOMATION PARK, BOX AD FAIRVIEW, PA. 16415 PHONE 814/474-5561		CASE NO 23	HEAD LGTH. 
DWN R.L.L. DATE 6/5/56 CHKD W DATE 6-7-56 REVISED 4-21-58 W	SCALE  SK NO 2026	HEADED PINS FEEDING BODY FIRST	BODY LENGTH  BODY DIA.  HEAD DIA PART FED



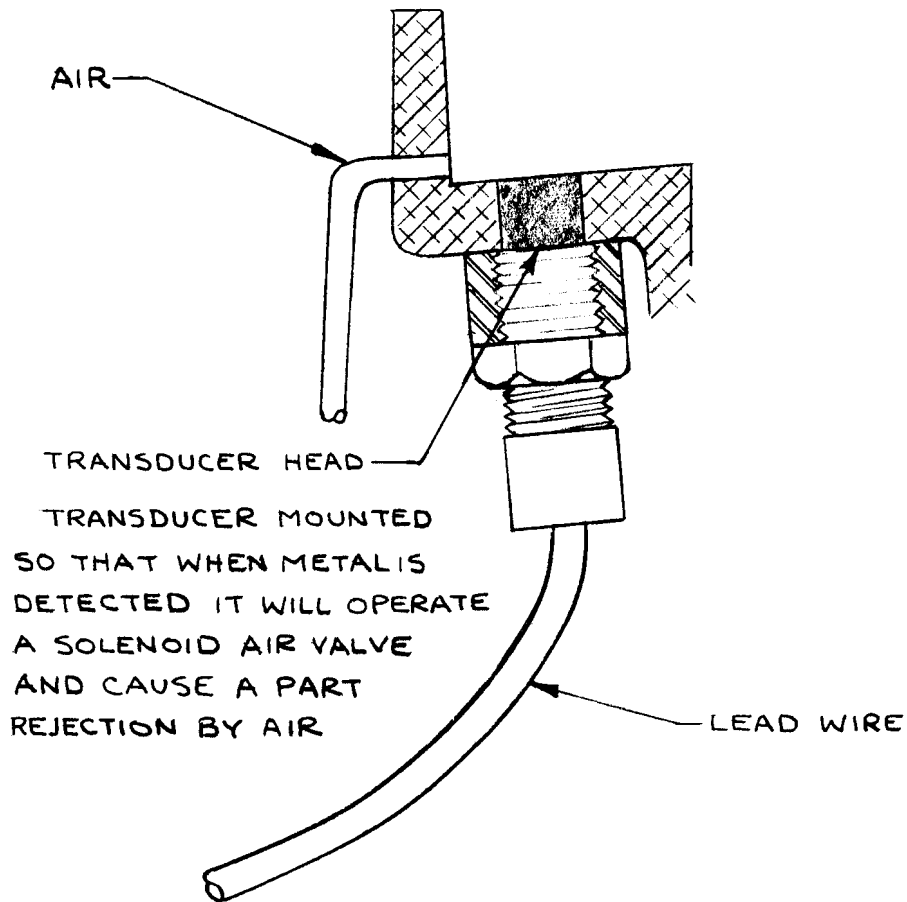
SECTION A~A




VIEW B~B

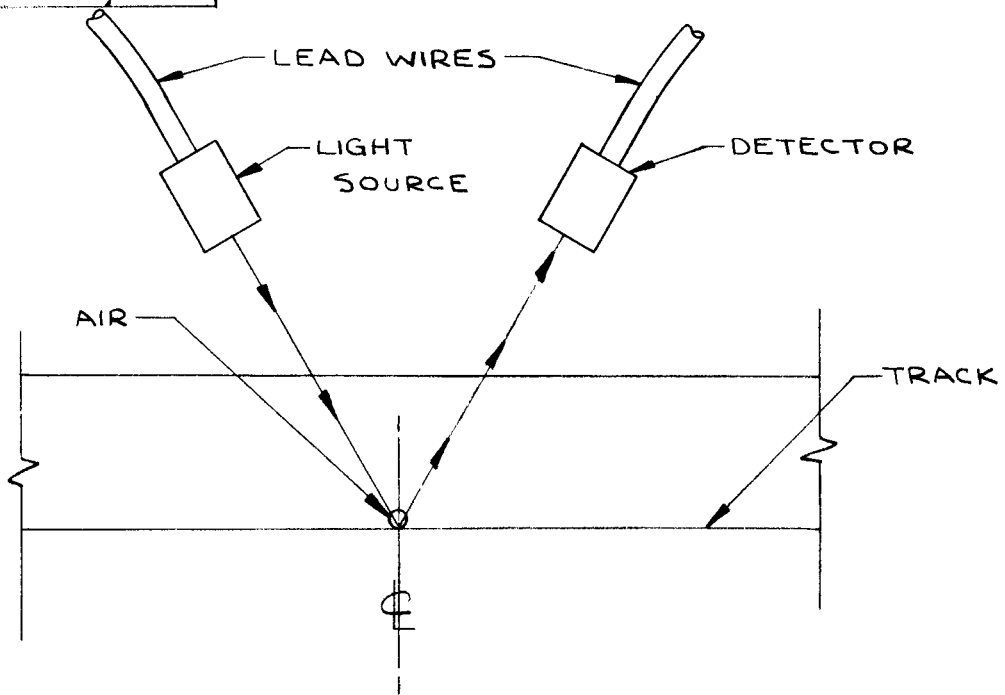
VIBRATORY FEEDER CO. AUTOMATION PARK, BOX AD FAIRVIEW, PA. 16415 PHONE 814/474-5561		CASE NO. 24	
DWN RLL DATE 6-13-56 CHK'D W DATE 6-23-56 REVISED 4-21-58	SCALE ~ SK. NO. 2027	ELECTRONIC DETECTION OF METALS	

USED IN ORIENTING BIMETALLIC PARTS, OR NONMETALLIC PARTS WITH METAL IMBEDDED ON ONE SURFACE. SHOWN HERE AS COULD BE USED IN CASE NO. 6, BUT MAY BE USED WITH VARIOUS OTHER TECHNIQUES

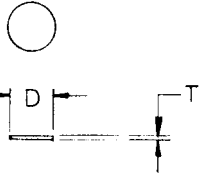



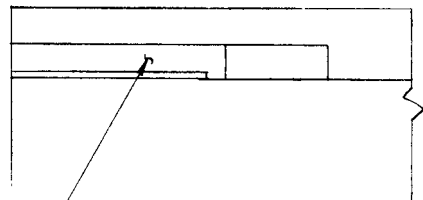
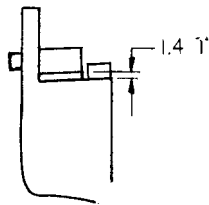
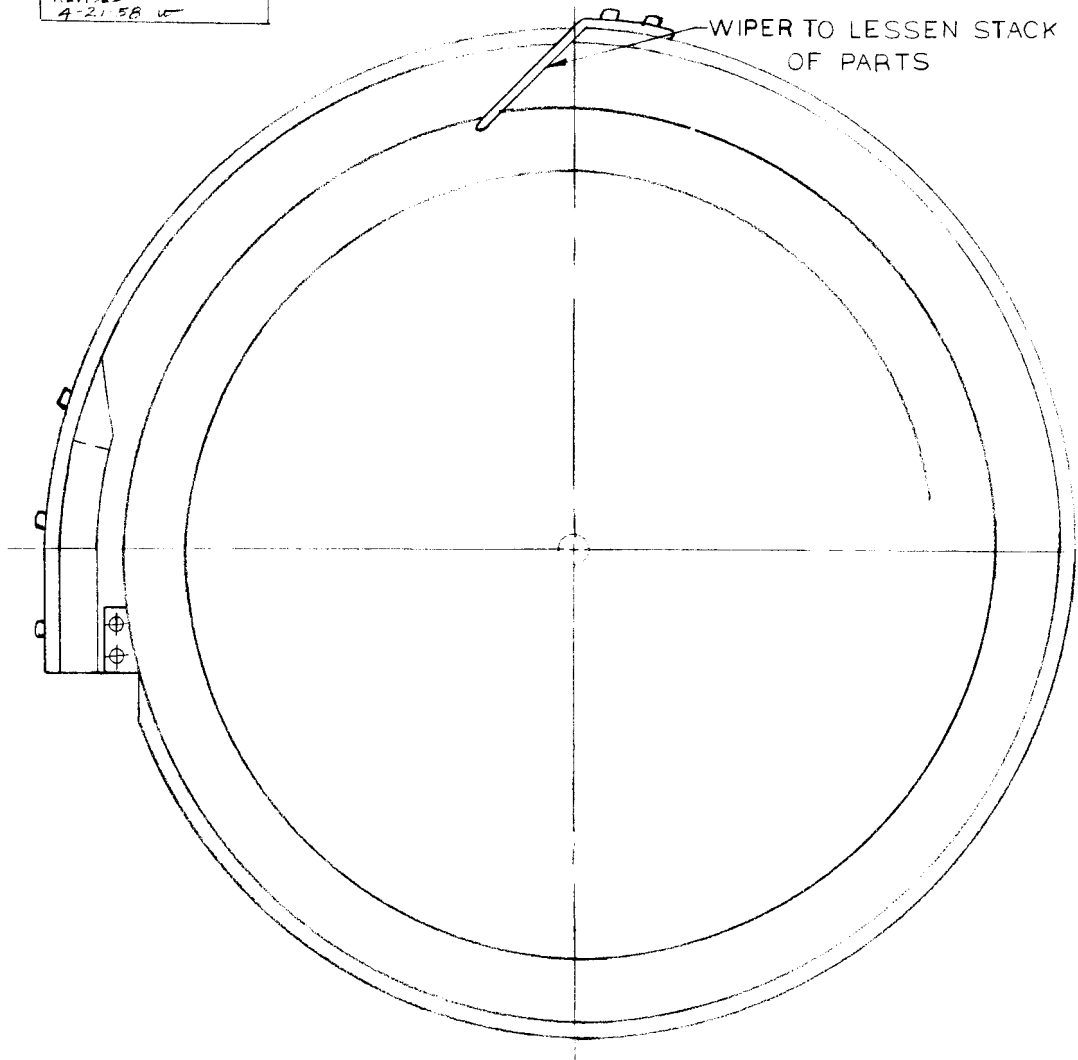
© 1966 BY VIBRATORY FEEDER CO.
 A DIVISION OF
 AUTOMATION DEVICES, INC.

VIBRATORY FEEDER CO. AUTOMATION PARK, BOX AD FAIRVIEW, PA. 16415 PHONE 814/474-5561		CASE NO. 25	
DWN RGM DATE 7-9-66 CHK'D W DATE 9-7-66 <small>EE DWN Page 9-7-66</small>	SCALE ~ SK. NO. 2028	PHOTO-ELECTRIC DETECTION OF SURFACE FINISH OR COLOR.	PART FED

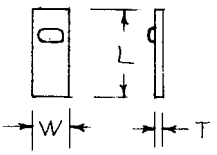



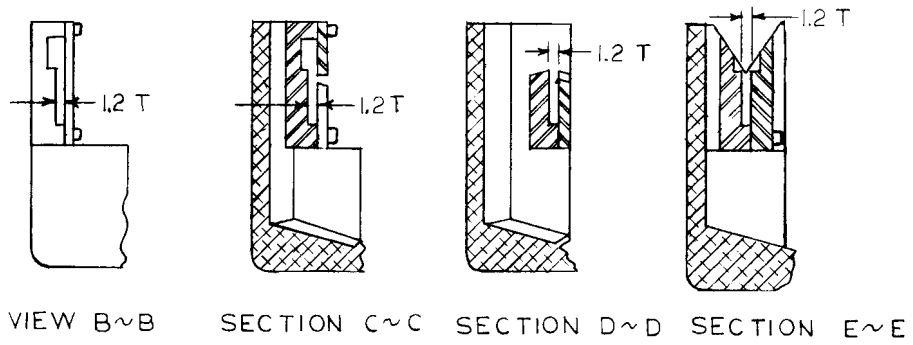
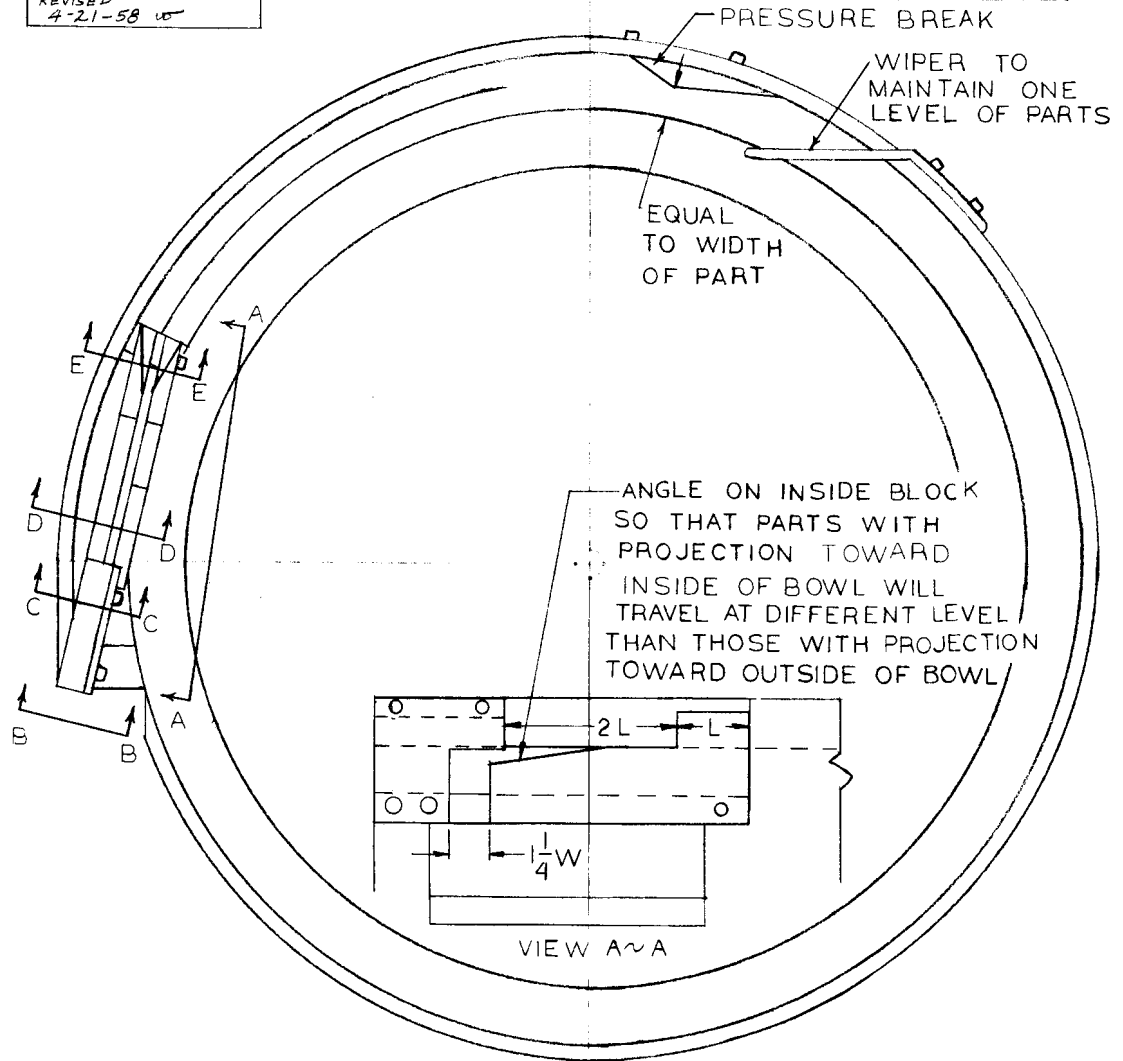
DETECTOR IS EXTREMELY SENSITIVE TO LIGHT. CHANGES IN AMOUNT OF LIGHT INITIATES AN ELECTRICAL RESPONSE WHICH WILL OPERATE A SOLENOID AIR VALVE AND CAUSE PART REJECTION BY AIR. MAY BE USED WITH ANY DESIGN OF FEEDER.

VIBRATORY FEEDER CO. AUTOMATION PARK, BOX AD. FAIRVIEW, PA. 16415 PHONE 814/474-5561		CASE NO 26	
DWN R.L.L. DATE 6/15/73 CHKD VT DATE 6-7-56 REVISED 4-21-58	SCALE  SK NO 2029	VERY THIN DISC OR WASHER	PART FED.

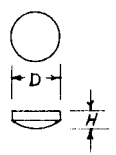



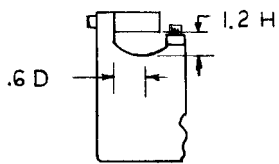
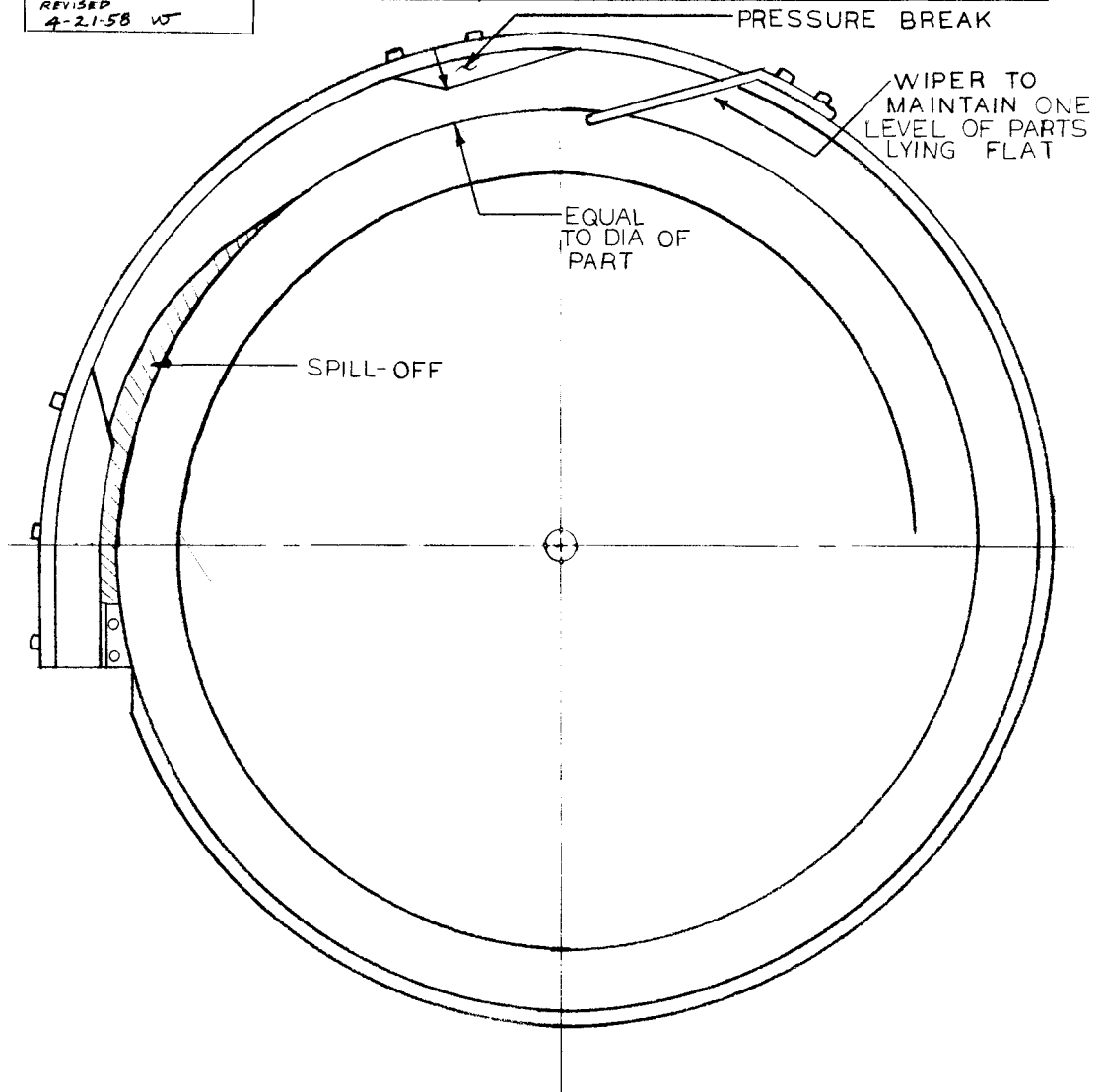
USED TO PREVENT WEDGING BY FORCING PART OUT AROUND AND ALLOWING PART TO DRIFT BACK UNDER RAIL

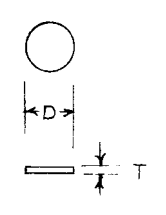

VIBRATORY FEEDER CO. AUTOMATION PARK, BOX AD FAIRVIEW, PA, 16415 PHONE 814/474-5561		CASE NO. 27	
DWN R.L.L. DATE 6-8-56 CHKD W DATE 6-9-56 REVISED 4-21-58 W	SCALE  SK NO 2030	SECTION OF PART BY FINE DIMPLE NEAR ONE END	PART FED

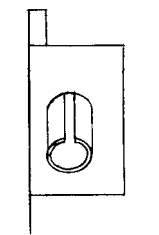
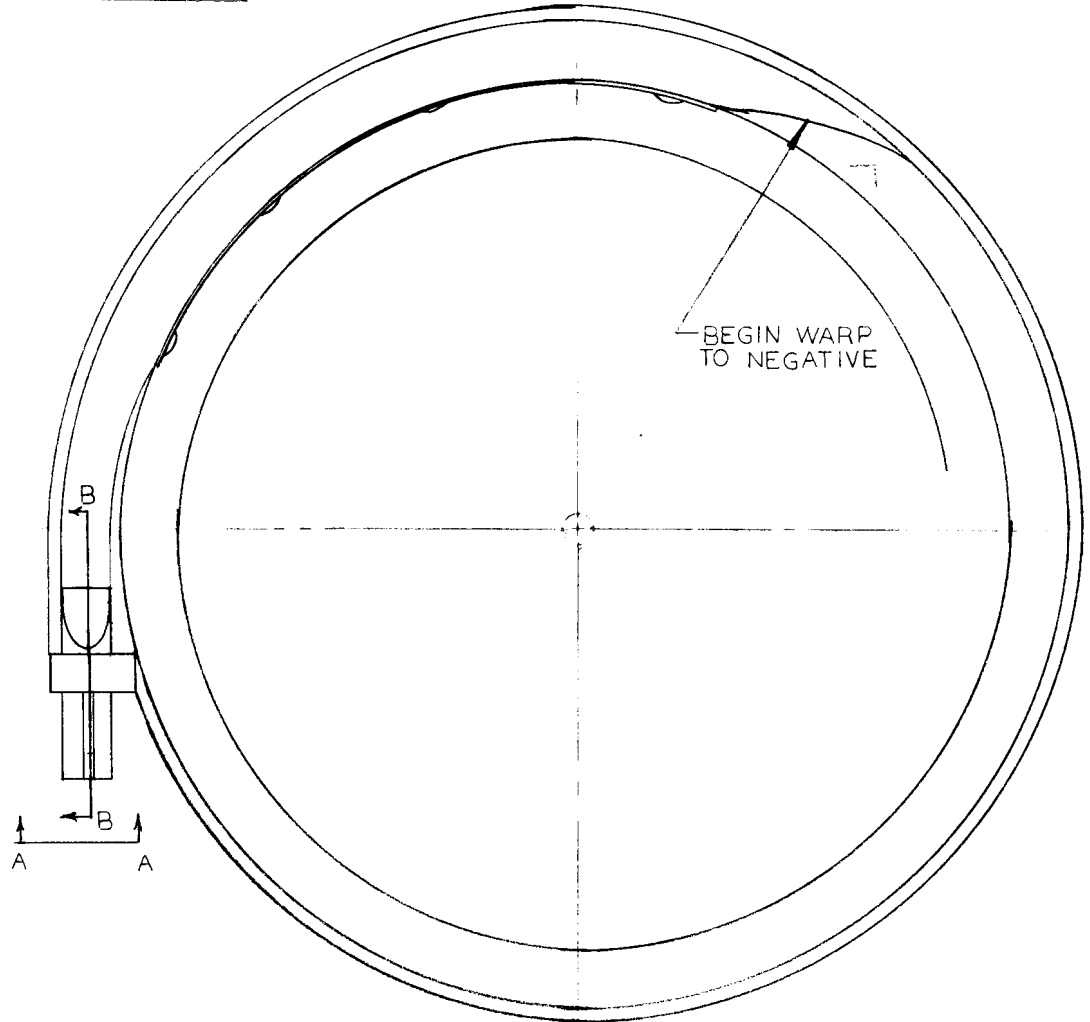


© 1966 BY VIBRATORY FEEDER CO.
 A DIVISION OF
 AUTOMATION DEVICES, INC.

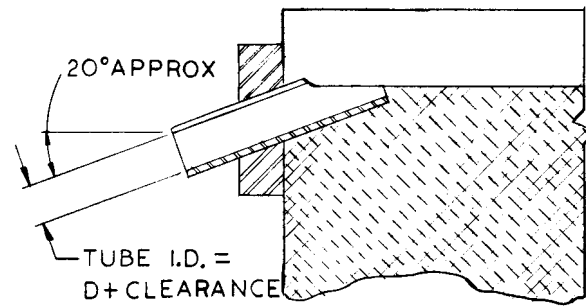
VIBRATORY FEEDER CO. AUTOMATION PARK, BOX AD FAIRVIEW, PA. 16415 PHONE 814/474-5561		CASE NO. 28	
DWN DATE 6-10-56 CHKD DATE 4-21-58 R.L.L. WJ	SCALE  SK NO 2031	SHALLOW DISHED BLANKINGS OR STAMPINGS	PART FED
REVISED 4-21-58 WJ			



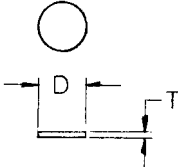

VIBRATORY FEEDER CO. AUTOMATION PARK, BOX AD FAIRVIEW, PA, 16415 PHONE 814/474-5561		CASE NO 29	
DWN R.L.L. DATE 6/5/56 CHKD W DATE 6-7-56 REVISED 4-21-58	SCALE  SK NO	STACKING FLAT WASHER & DISC	PART FED

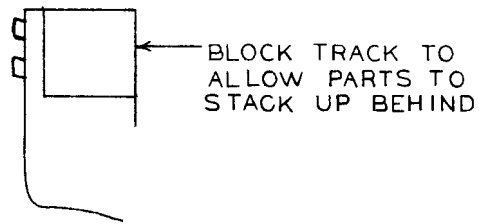
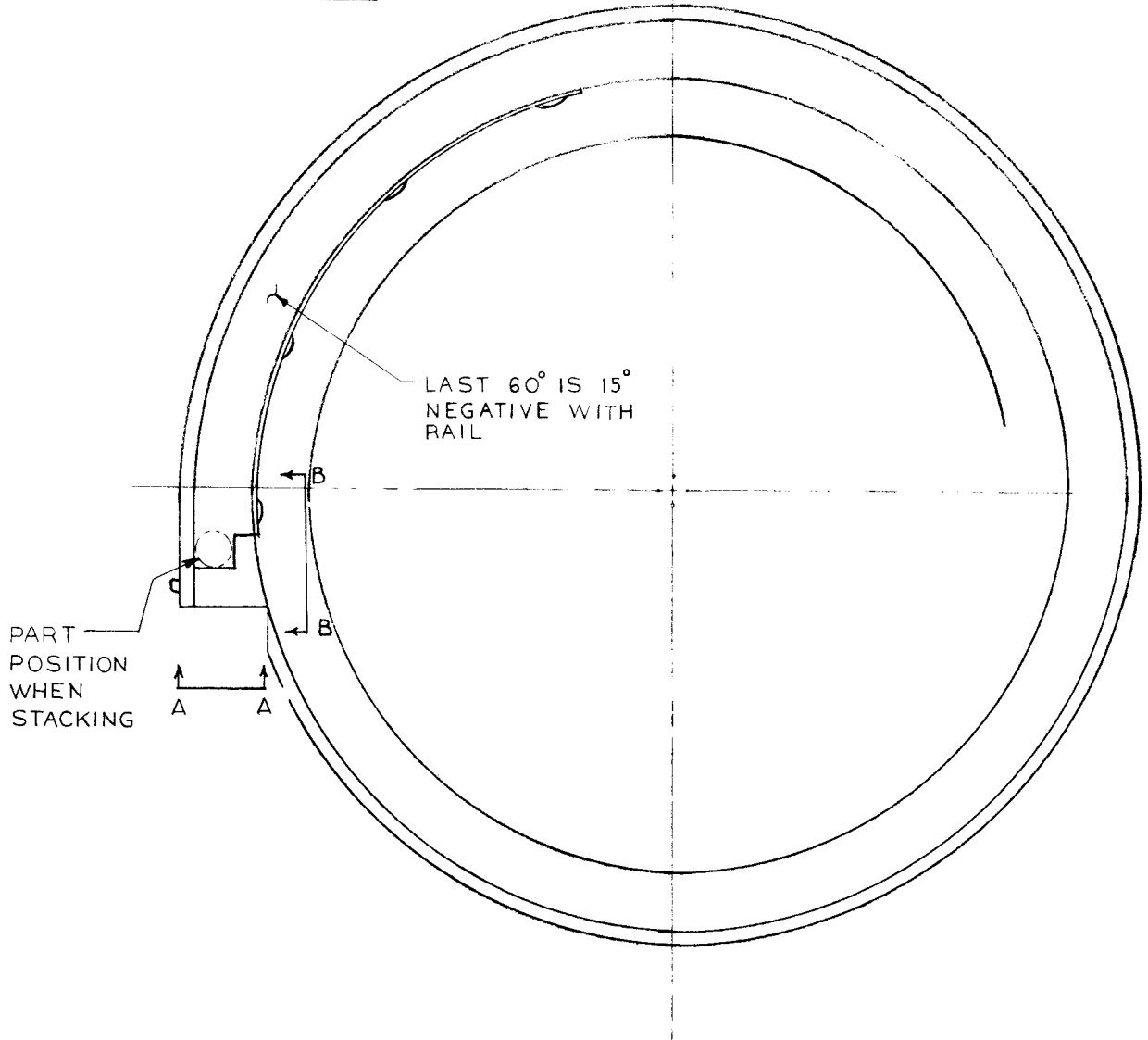


VIEW A~A

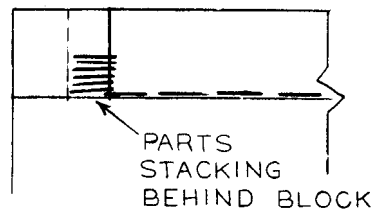


SECTION B~B

VIBRATORY FEEDER CO. AUTOMATION PARK, BOX AD FAIRVIEW, PA. 16415 PHONE 814/474-5561		CASE NO. 30	
DWN. R.L.L. DATE 6/5/56 CHK'D W.T. DATE 6-7-56 REVISED 4-21-58	SCALE  SK NO. 2033	STACKING DISCS TO A HEIGHT	PART FED



VIEW A~A



VIEW B~B