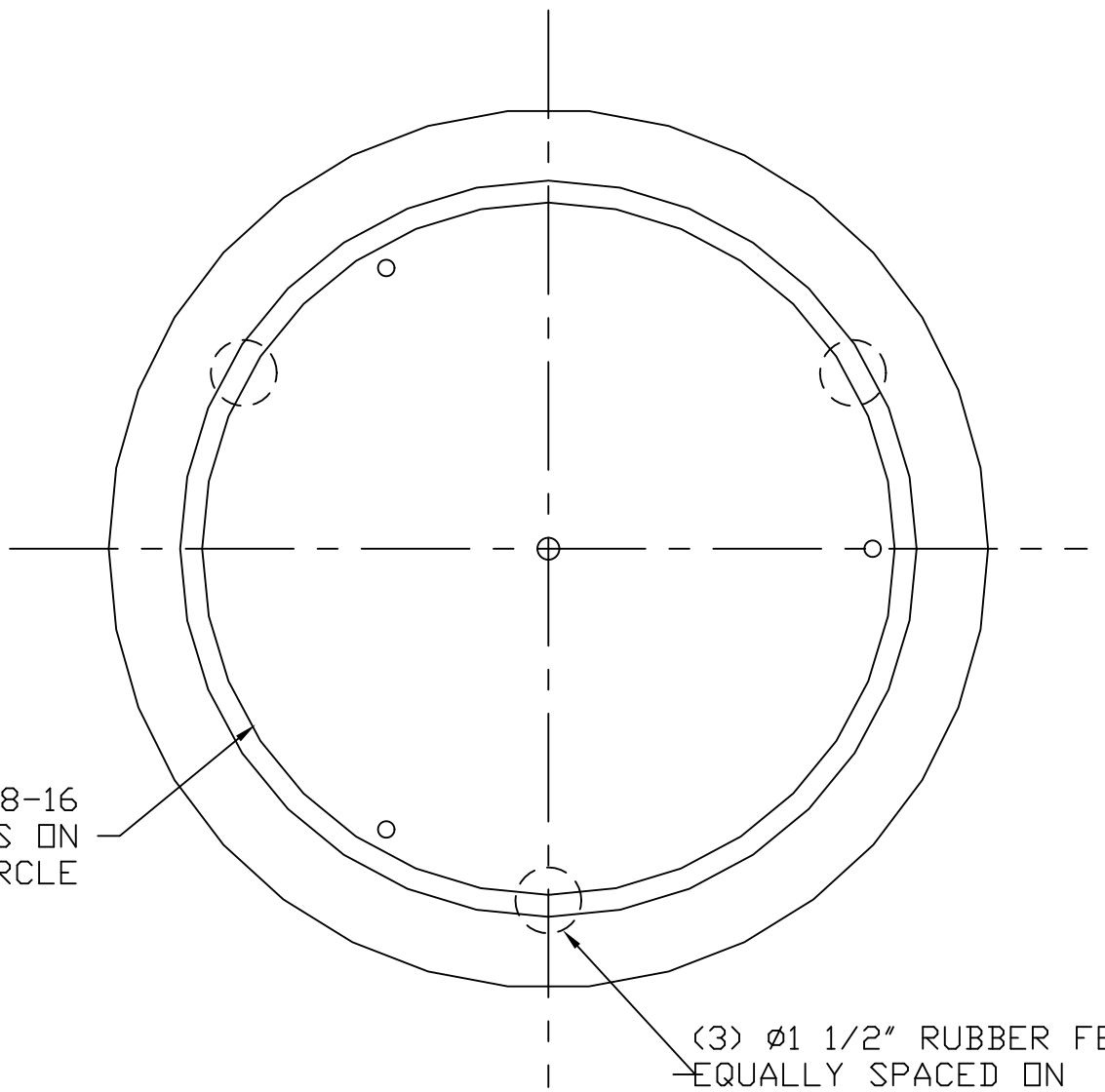


TOP MOUNT: (3) 3/8-16
TAPPED HOLES ON
Ø14 3/4" CIRCLE



(3) Ø1 1/2" RUBBER FEET
EQUALLY SPACED ON
Ø16" CIRCLE

