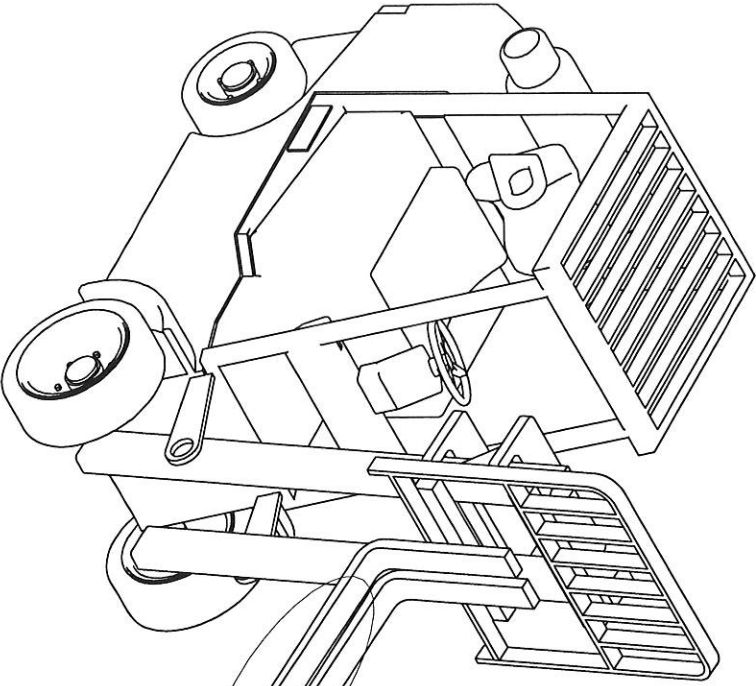
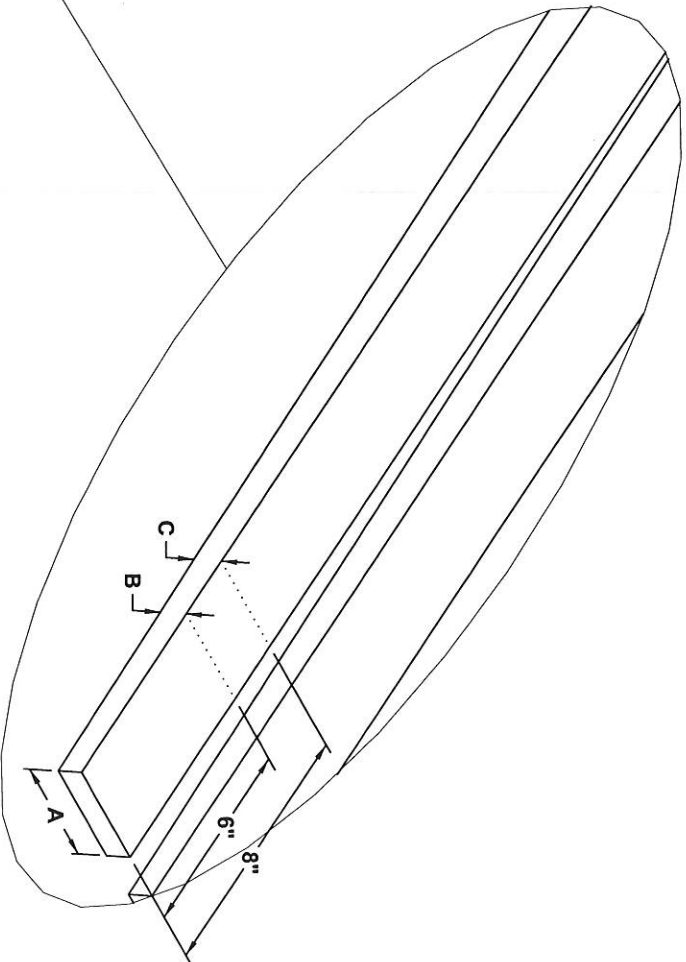


PLEASE PROVIDE FORK SPECIFICATIONS BELOW

- A = \_\_\_\_\_ (WIDTH OF FORK)
- B = \_\_\_\_\_ (THICKNESS OF FORK 6" FROM TIP)
- C = \_\_\_\_\_ (THICKNESS OF FORK 8" FROM TIP)
- D = \_\_\_\_\_ (MINIMUM GAP BETWEEN FORKS)



**D**  
MINIMUM GAP AT FULL CLOSURE  
(STANDARD RHINO GAP:  $1\frac{3}{4}$ )



DRAWING TITLE: CUSTOMER SPEC SHEET		LTR	REVISIONS	DATE
FOR: FORK RHINO				
SCALE: NONE	DRAWN BY: JP	DATE: 10/32/2011	APPROVED BY:	DATE:
<b>AUTOMATION DEVICES, INC.</b>		7050 WEST RIDGE ROAD FAIRVIEW, PA 16415-2099		
PHONE: 814-474-5561 FAX 814-474-2131		www.autodev.com		
PART No.:		TOLERANCE UNLESS OTHERWISE SPECIFIED DECIMAL: .00 ±.015 .000 ±.005 FRACTIONAL: $\pm\frac{1}{4}$ ANGLES: $\pm\frac{1}{2}$ - DO NOT SCALE DRAWING -		
MATERIAL:		DATE		