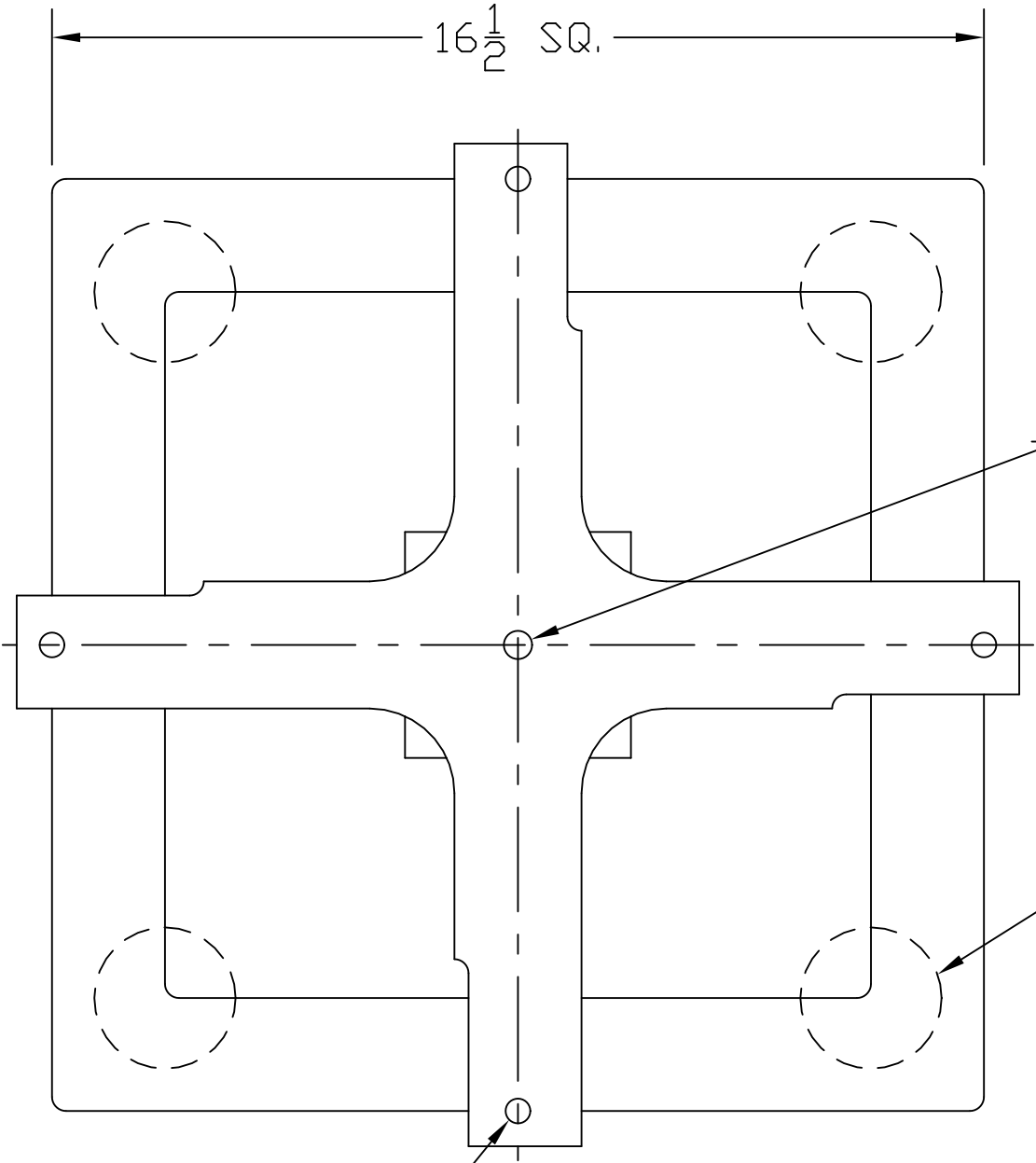


16  $\frac{1}{2}$  SQ.

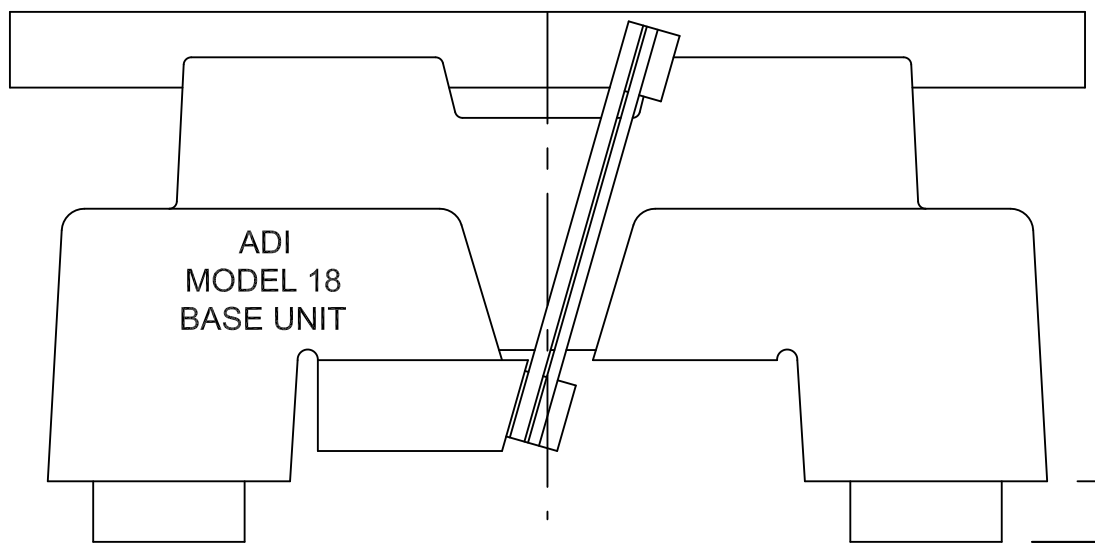


CENTER MOUNT:  
1/2-13 TAPPED HOLE

(4) Ø2 1/2" RUBBER FEET  
EQUALLY SPACED  
ON 12 1/2" SQUARE.

BOTTOM MOUNT: (4) 7/16"  
CLEARANCE HOLES  
ON Ø16 1/2" CIRCLE

17  $\frac{3}{4}$



ADI  
MODEL 18  
BASE UNIT

8  $\frac{3}{4}$  MAX.

1