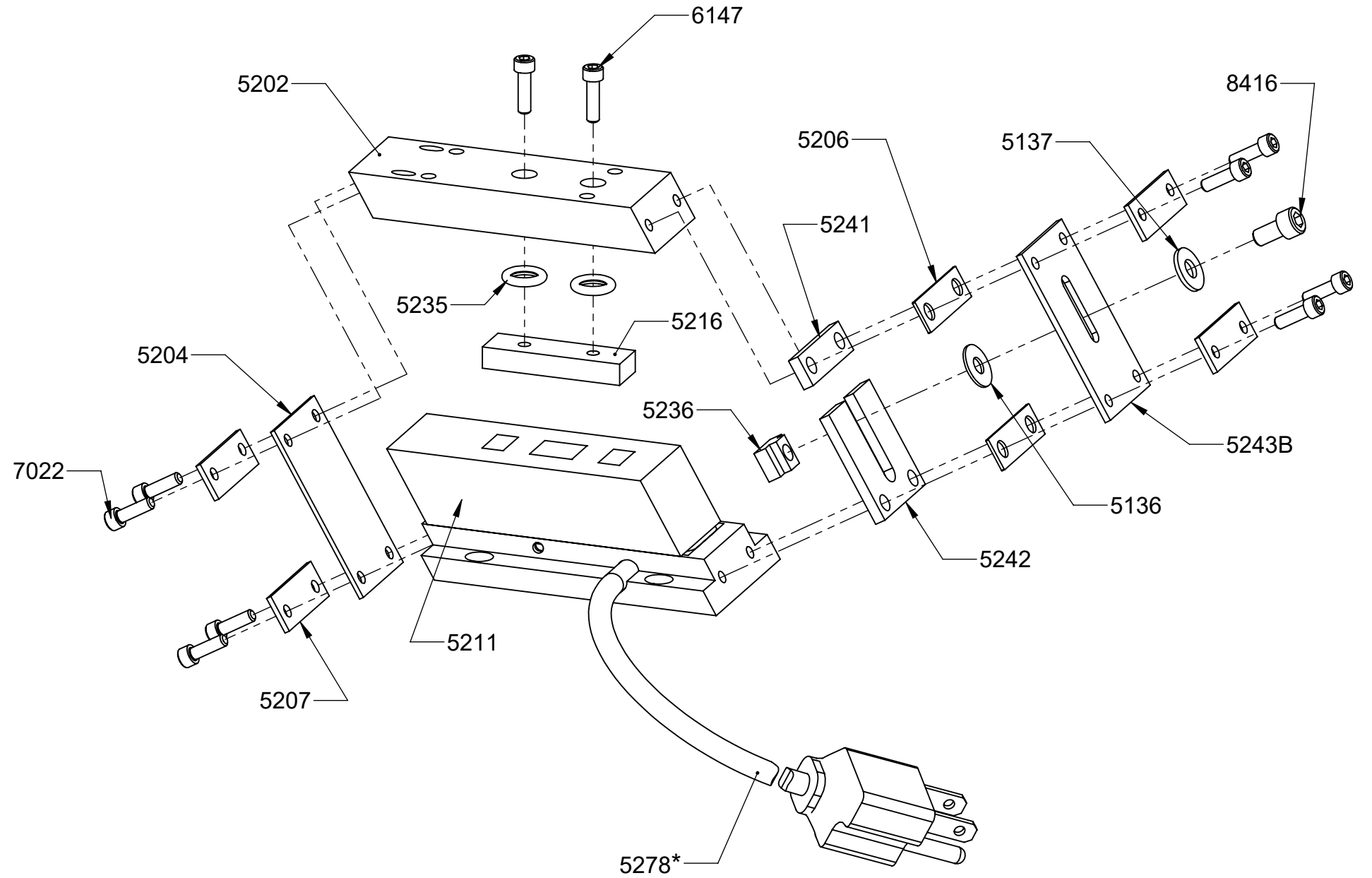


PART NUMBER	DESCRIPTION	QTY.
5211	Coil Assembly Drawing #60593	1
5202	Top Plate Drawing #29235	1
5204	Fiberglass Spring Drawing #60567	1
5207	Spring Cover Drawing #60540	4
5216	Armature Drawing #19190	1
5235	"O" Ring	2
5243B	Fiberglass Leaf Spring with Slot Drawing #60586a	1
5206	Spring Spacer Drawing #60585	2
5236	T-Slot Nut Drawing #60584a	1
5241	1/8" Thick Spring/Riser Drawing #60583a	1
5242	Slotted Spring Drawing #60582	1
5136	#10 Stainless Steel Washer	1
7022	#6-32 x .375 SS SHCS	8
6147	#6-32 x .50 SS SHCS	2
8416	#10-32 x .375 SHCS	1
5137	#10 FLAT WASHER	1

4-17-13
11-21-13



PROPRIETARY AND CONFIDENTIAL
THE INFORMATION CONTAINED IN THIS DRAWING IS THE SOLE PROPERTY OF <INSERT COMPANY NAME HERE>. ANY REPRODUCTION IN PART OR AS A WHOLE WITHOUT THE WRITTEN PERMISSION OF <INSERT COMPANY NAME HERE> IS PROHIBITED.

		UNLESS OTHERWISE SPECIFIED:		NAME		DATE		Automation Devices, Inc.	
		DIMENSIONS ARE IN INCHES		DRAWN		JP		4/21/09	
		TOLERANCES:		CHECKED				TITLE:	
		FRACTIONAL ±		ENG APPR.				T4 Adjustable	
		ANGULAR: MACH ± BEND ±		MFG APPR.				Inline Assembly	
		TWO PLACE DECIMAL ±		Q.A.				SIZE	
		THREE PLACE DECIMAL ±		COMMENTS:				DWG. NO.	
		INTERPRET GEOMETRIC TOLERANCING PER:		P/N 5200A				REV	
		MATERIAL				SCALE: 1:1		WEIGHT:	
		FINISH							
NEXT ASSY		USED ON							
APPLICATION		DO NOT SCALE DRAWING							