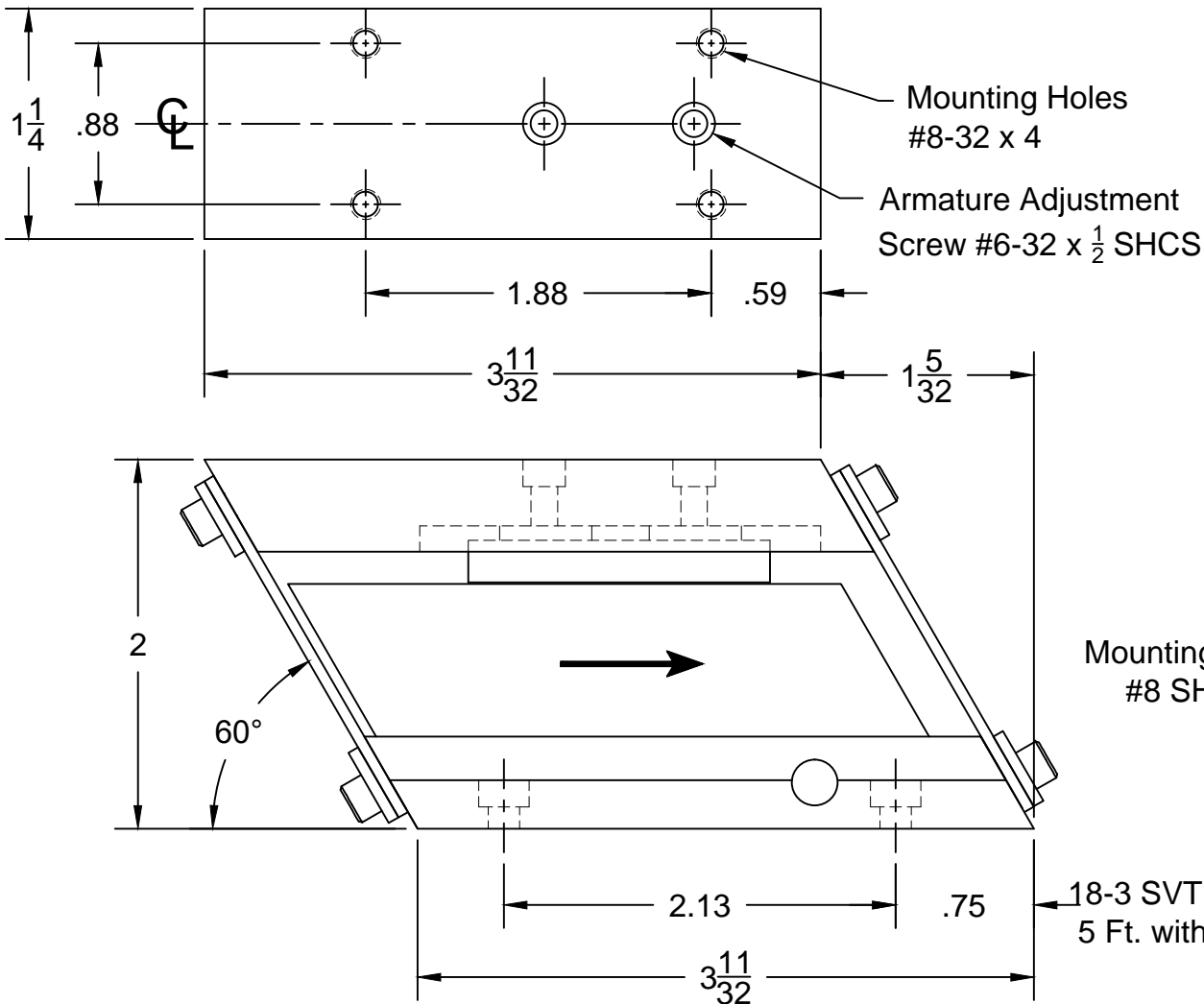
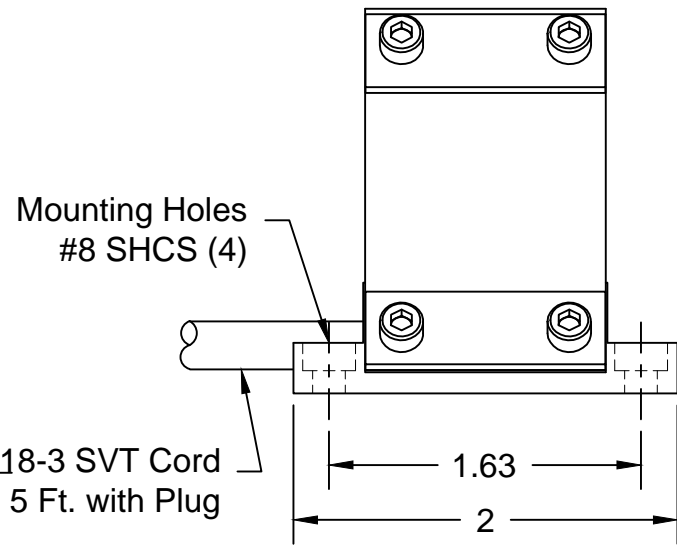


AUTOMATION DEVICES, INC. 19207

THE INFORMATION CONTAINED IN THIS DRAWING IS THE SOLE PROPERTY OF AUTOMATION DEVICES, INC. LOCATED AT 7050 WEST RIDGE ROAD, FAIRVIEW PA 16415. ANY REPRODUCTION IN PART OR AS A WHOLE WITHOUT THE WRITTEN PERMISSION OF AUTOMATION DEVICES, INC. IS PROHIBITED.



**Note:**  
 8" Maximum Track Length.  
 16 oz. Maximum Track Weight.



B		Added Spring Covers 5207A & Updated		3/6/20 JP/BF	A		Added Title Block		8-25-04 JP
DRAWING TITLE: Dimensions					LTR		REVISIONS		DATE INIT
FOR: Model 5200.1 Mini Inline Feeder (T-4)					TOLERANCE UNLESS OTHERWISE SPECIFIED				
SCALE: Full		DRAWN BY: JP		DATE: 8-25-04		APPROVED BY: TLS		DATE: 8-25-04	
<b>AUTOMATION DEVICES, INC.</b> 7050 WEST RIDGE ROAD FAIRVIEW, PA 16415-2099 PHONE: 814-474-5561 FAX 814-474-2131 www.autodev.com					DECIMAL: $.00 \pm .015$ $.000 \pm .005$ FRACTIONAL: $\pm \frac{1}{64}$ ANGLES: $\pm \frac{1}{2}^\circ$ <b>- DO NOT SCALE DRAWING -</b>				
					MATERIAL:				
PART No.:					5200 DIM				

AUTOMATION DEVICES, INC. 19207