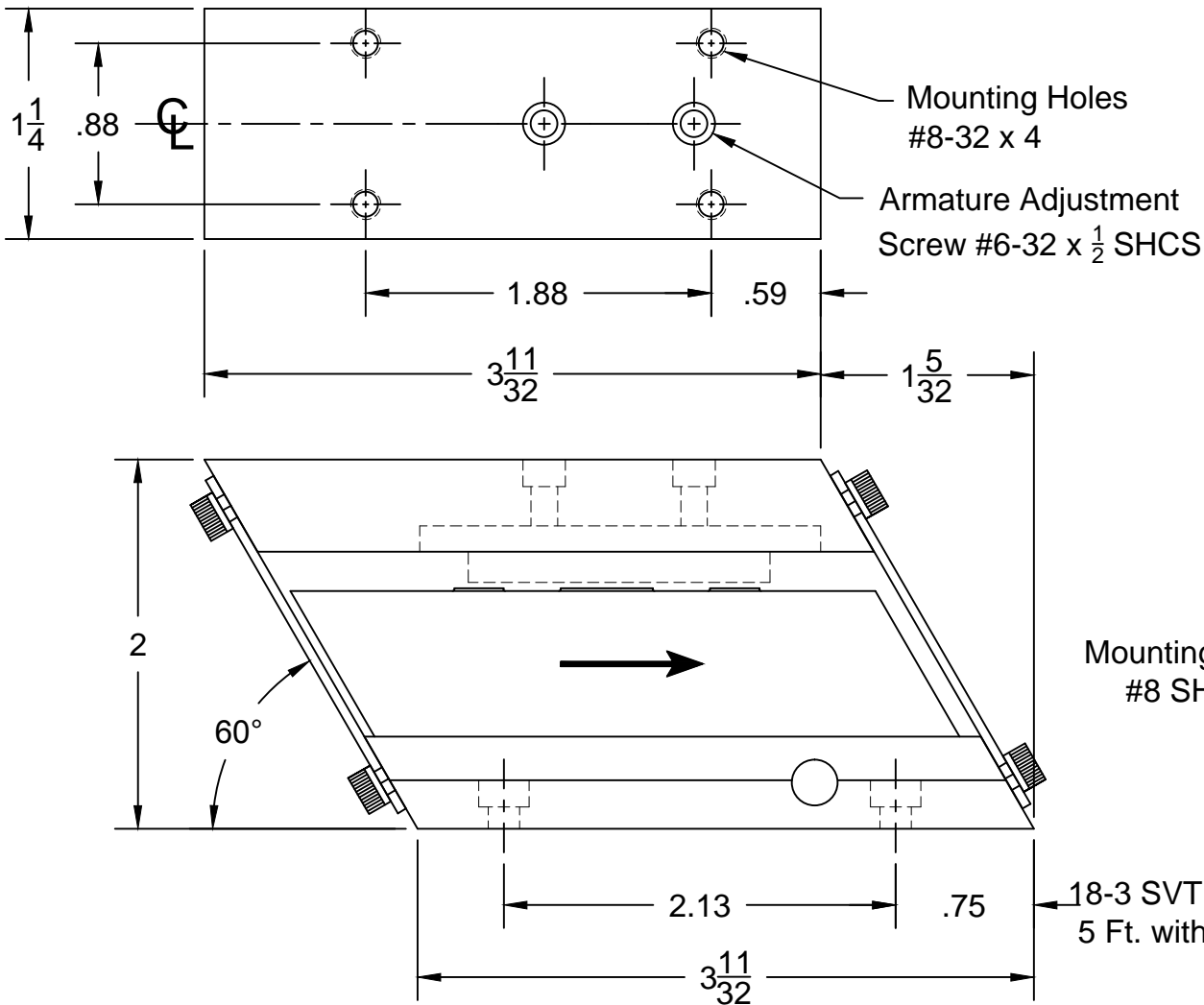
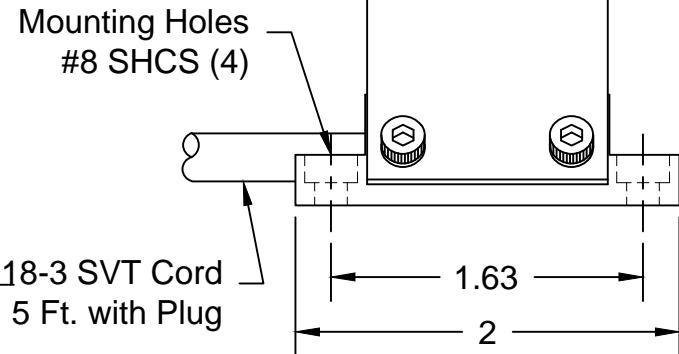


THE INFORMATION CONTAINED IN THIS DRAWING IS THE SOLE PROPERTY OF AUTOMATION DEVICES, INC. LOCATED AT 7050 WEST RIDGE ROAD, FAIRVIEW PA 16415. ANY REPRODUCTION IN PART OR AS A WHOLE WITHOUT THE WRITTEN PERMISSION OF AUTOMATION DEVICES, INC. IS PROHIBITED.



Note:
 8" Maximum Track Length.
 60 oz. Maximum Track Weight.



DRAWING TITLE: Dimensions

FOR: Model 5200.1 Mini Inline Feeder (T-4)

SCALE: Full	DRAWN BY: JP	DATE: 8-25-04	APPROVED BY: TLS	DATE: 8-25-04
-----------------------	------------------------	-------------------------	----------------------------	-------------------------

AUTOMATION DEVICES, INC.
 7050 WEST RIDGE ROAD FAIRVIEW, PA 16415-2099
 PHONE: 814-474-5561 FAX 814-474-2131
 www.autodev.com

A	Added Title Block	8-25-04 JP
LTR	REVISIONS	DATE INIT
TOLERANCE UNLESS OTHERWISE SPECIFIED DECIMAL: $.00 \pm .015$ $.000 \pm .005$ FRACTIONAL: $\pm \frac{1}{64}$ ANGLES: $\pm \frac{1}{2}^\circ$ - DO NOT SCALE DRAWING -		
MATERIAL:		
PART No.: 5200 DIM		