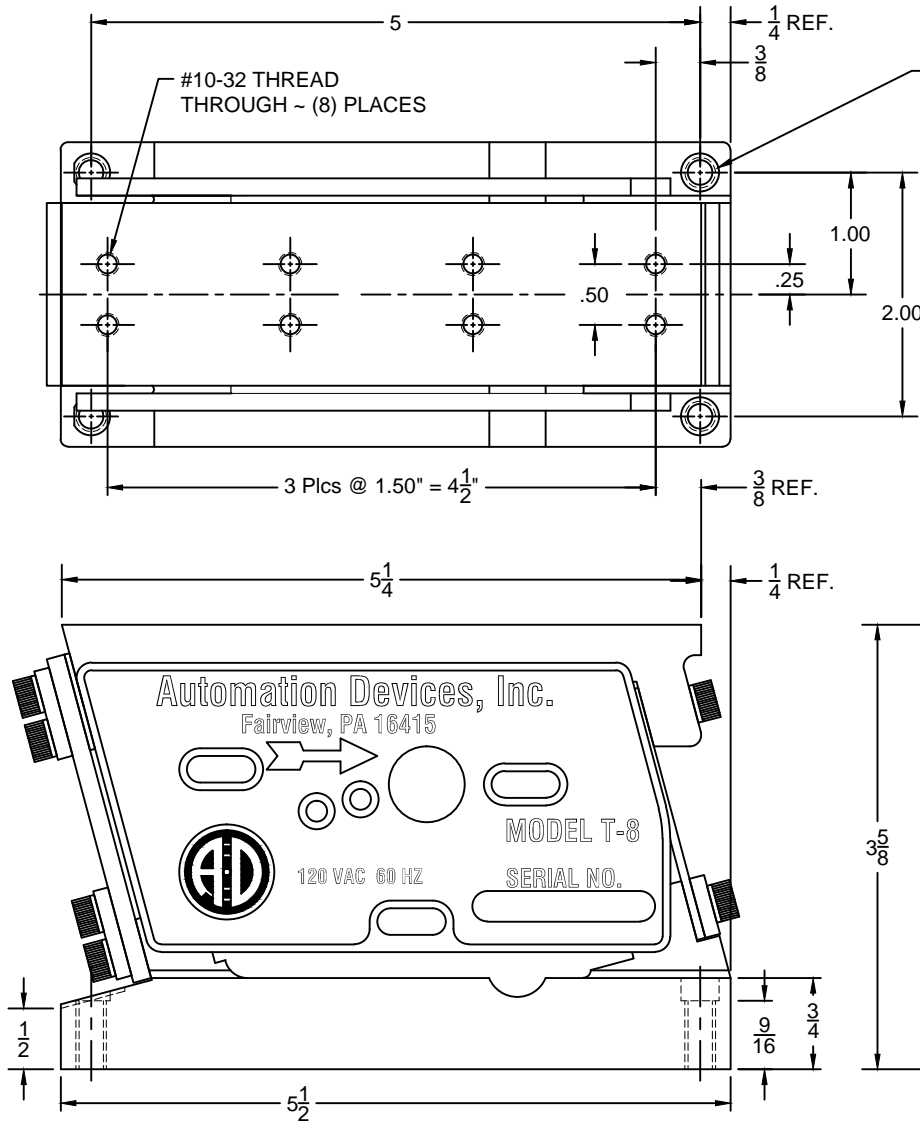
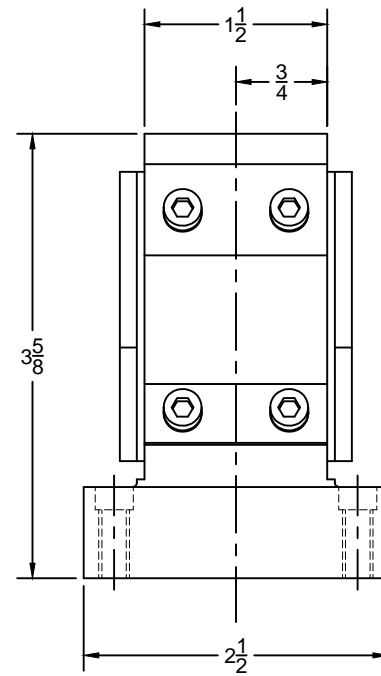


DWG. No.: 60424



NOTE: REFERENCE DWG. 43574



DWG. No.: 60424

LTR	REVISIONS	DATE	
		INIT	
TOLERANCE UNLESS OTHERWISE SPECIFIED			
DECIMAL: .00 ±.015 .000 ±.005			
FRACTIONAL: ± 1/16 ANGLES: ± 4°			
- DO NOT SCALE DRAWING -			
MATERIAL:			
PART No.: 5100			

DRAWING TITLE: DIMENSIONAL LAYOUT			
FOR: 5100 INLINE	DRAWN BY: JP	DATE: 8-30-05	APPROVED BY: TLS
SCALE: FULL	DATE: 8-30-05	DATE: 8-30-05	
AUTOMATION DEVICES, INC.			
7050 WEST RIDGE ROAD FAIRVIEW, PA 16415-2099			
PHONE: 814-474-5561 FAX 814-474-2131			
www.autodev.com			

THE INFORMATION CONTAINED IN THIS DRAWING IS THE SOLE PROPERTY OF AUTOMATION DEVICES, INC. LOCATED AT 7050 WEST RIDGE ROAD, FAIRVIEW PA 16415. ANY REPRODUCTION IN PART OR AS A WHOLE WITHOUT THE WRITTEN PERMISSION OF AUTOMATION DEVICES, INC. IS PROHIBITED.

DWG. No.: 60424