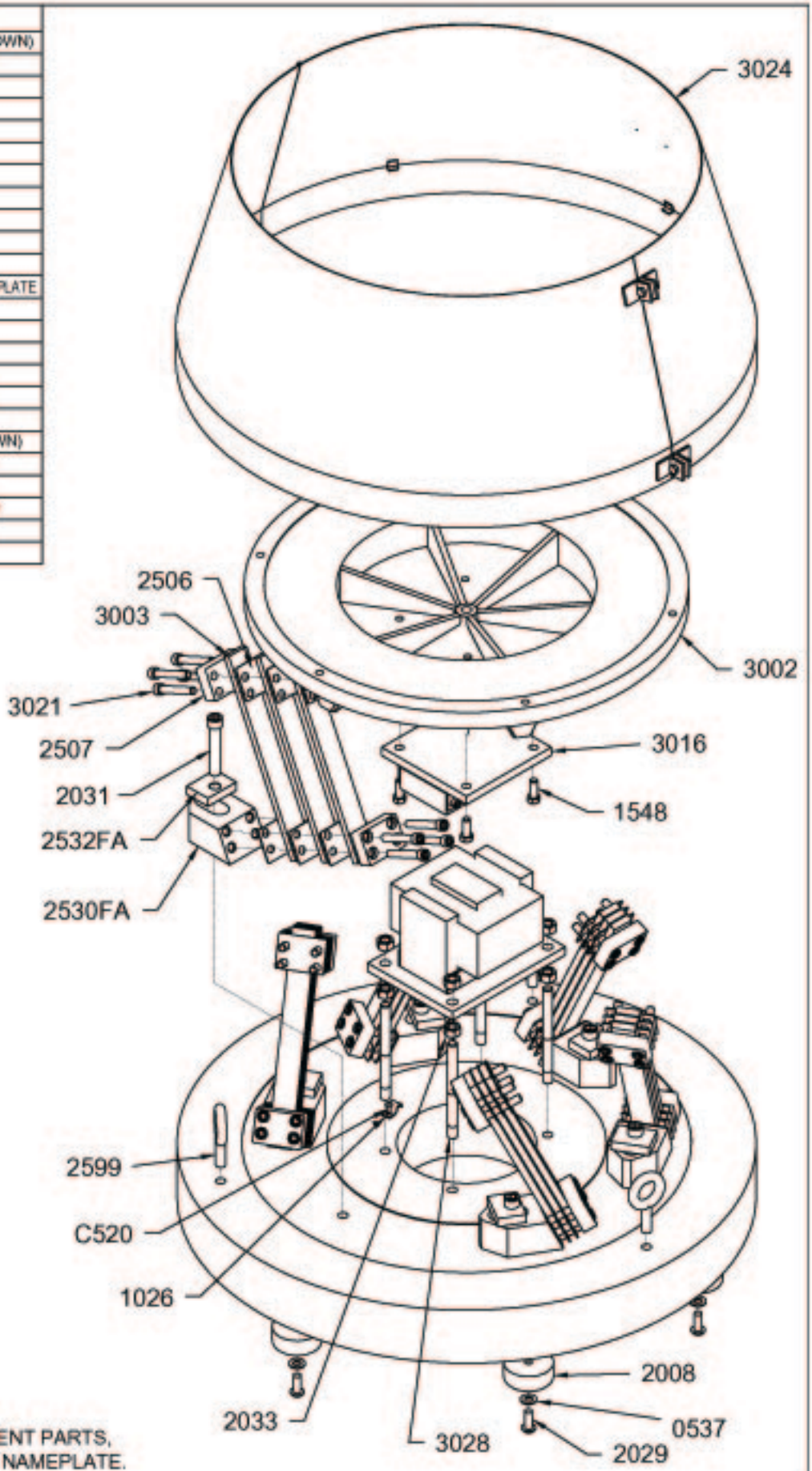


PART No.	QTY.	DESCRIPTION
0518	2	DRIVE SCREW (NOT SHOWN)
0537	6	3/8" WASER
1026	1	CABLE CLAMP
1548	4	3/8-16 x 1" H.H.C.S.
2008	6	RUBBER FOOT
2029	6	3/8-16 x 1" R.H.M.S.
2031	6	1/2-13 x 3" S.H.C.S.
2033	8	1/2-13 FULL HEX NUT
2506	24/96	SPRING SPACER
2507	12	SPRING PAD
2530FA	6	SPRING BLOCK
2532FA	6	SPRING BLOCK HOLD-DOWN PLATE
2599	3	1/2" EYE BOLT
3001	1	BASE
3002	1	TOP
3003	12/48	SPRING - 3/8" THICK
3011	1	COIL ASSEMBLY - 115V
3016	1	ARMATURE
3017	1	NAME PLATE (NOT SHOWN)
3021	48	3/8-16 x 2 1/2" S.H.C.S.
3024	1	SHELL
3028	4	1/2-13 x 5 3/4" COIL STUD
C520	1	10-32 x 3/8" R.H.M.S.



**Model 30**

WHEN ORDERING REPLACEMENT PARTS,  
SPECIFY SERIAL NO. ON UNIT NAMEPLATE.